



# BRAKE PAD

## P 30 082

The P 30 082 brake pad is synonymous with reliability

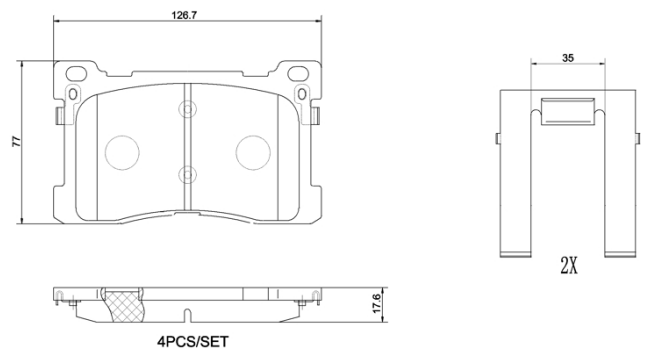
The Brembo brake pad guarantees ultimate safety when braking thanks to the use of more than 100 different compounds, designed according to the type of vehicle and use. Stopping distances reduced to a minimum, maximum driving comfort and silent operation are the most important features of Brembo materials. Brembo brake pads are supplied together with an extensive range of accessories and assembly kits for professional-standard installation.

- ✓ OE-equivalent
- ✓ Brembo quality
- ✓ ECE-R90 certificate
- ✓ Safety
- ✓ Performance
- ✓ Comfort
- ✓ With accessories



### Technical specifications

EAN code <b>8020584084250</b>	Axle <b>Front</b>	Thickness <b>17 mm</b>
Width <b>127 mm</b>	Height <b>77 mm</b>	
Wear indicator <b>Acoustic</b>	WVA number <b>22444</b>	Accessories <b>With accessories</b>



COMPATIBLE VEHICLES

## COMPATIBLE OE PART NUMBERS

581013NA80	HYUNDAI
------------	---------

---

581013TA80	HYUNDAI
------------	---------

---

581013TA80	KIA
------------	-----

---