



BRAKE PAD

P 30 104

The P 30 104 brake pad is synonymous with reliability

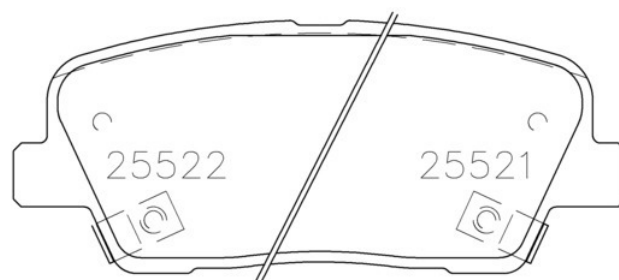
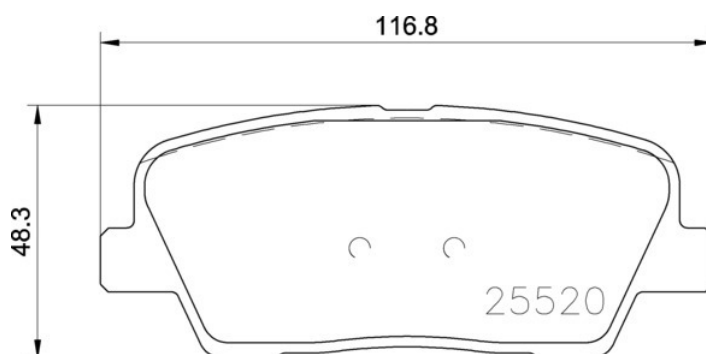
The Brembo brake pad guarantees ultimate safety when braking thanks to the use of more than 100 different compounds, designed according to the type of vehicle and use. Stopping distances reduced to a minimum, maximum driving comfort and silent operation are the most important features of Brembo materials. Brembo brake pads are supplied together with an extensive range of accessories and assembly kits for professional-standard installation.



- ✓ OE-equivalent
- ✓ Brembo quality
- ✓ ECE-R90 certificate
- ✓ Safety
- ✓ Performance
- ✓ Comfort
- ✓ With accessories

Technical specifications

EAN code	Thickness	
8020584115046	16 mm	
Width	Height	Braking system
117 mm	48 mm	Mando
Wear indicator	WVA number	Accessories
Acoustic	25520,25521,25522	With accessories With anti-squeal shim



COMPATIBLE OE PART NUMBERS

58302G9A20	KIA
------------	-----

58302J5A00	KIA
------------	-----

58302J5A51	KIA
------------	-----
