



BRAKE PAD

P 59 081

The P 59 081 brake pad is synonymous with reliability

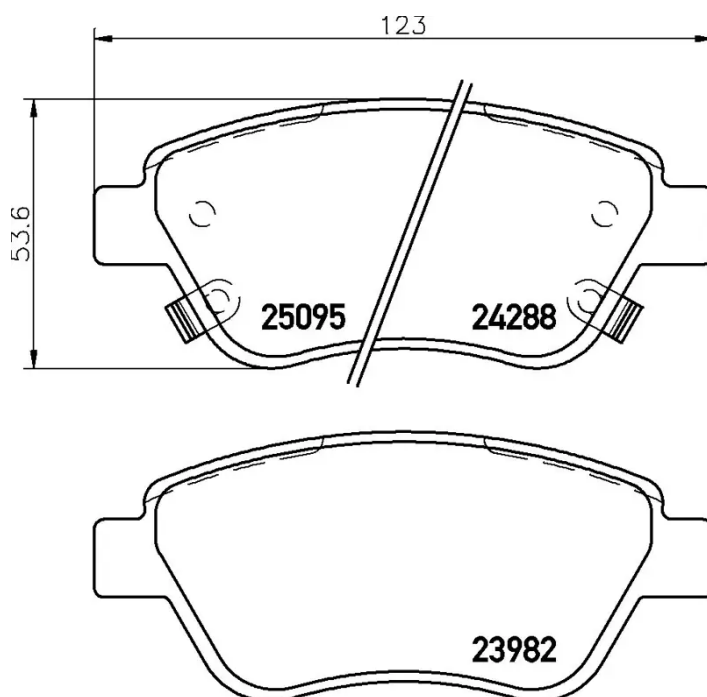
The Brembo brake pad guarantees ultimate safety when braking thanks to the use of more than 100 different compounds, designed according to the type of vehicle and use. Stopping distances reduced to a minimum, maximum driving comfort and silent operation are the most important features of Brembo materials. Brembo brake pads are supplied together with an extensive range of accessories and assembly kits for professional-standard installation.



- ✓ OE-equivalent
- ✓ Brembo quality
- ✓ ECE-R90 certificate
- ✓ Safety
- ✓ Performance
- ✓ Comfort
- ✓ With accessories

Technical specifications

EAN code 8020584110195	Axle Front	Thickness 17 mm
Width 123 mm	Height 54 mm	Braking system Bosch
Wear indicator Acoustic	WVA number 23932,25095,24288	Accessories With brake caliper bolts With accessories With anti-squeal shim



COMPATIBLE OE PART NUMBERS

1605184	OPEL
---------	------

95513810	OPEL
----------	------

1605184	VAUXHALL
---------	----------

95513810	VAUXHALL
----------	----------
