



LA BRAKE PAD 07GR90LA

The 07GR90LA brake pad is synonymous with reliability

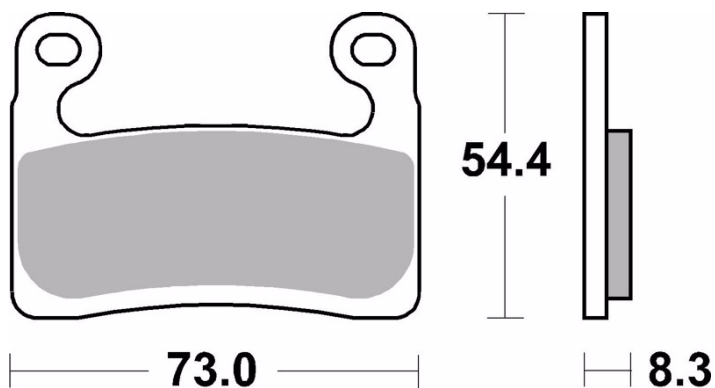
sintered compound, specifically for front-wheel applications, characterised by good performance and stability paired with excellent durability

- ✓ OE-equivalent
- ✓ Brembo quality
- ✓ ECE-R90 certificate
- ✓ Safety
- ✓ Performance
- ✓ Comfort
- ✓ Durability



Technical specifications

Width	Height	Thickness
0 mm	54 mm	8 mm
Compound	Units per box	
Sinter	2	



COMPATIBLE VEHICLES