



BRAKE DISC

08.A715.10

The **08.A715.10** brake disc is synonymous with reliability

The Brembo brake disc is fully interchangeable with an Original Equipment brake disc. The control of the entire production cycle allows Brembo to offer brake discs with outstanding performance levels, reliability, durability and comfort in all conditions of use. All Brembo brake discs are accompanied by the ECE-R90 homologation.

- ✓ OE-equivalent
- ✓ Brembo quality
- ✓ ECE-R90 certificate
- ✓ Safety



Technical specifications



EAN code
8020584019184

Axle
Rear

Diameter Ø
292 mm

Thickness (TH)
9 mm

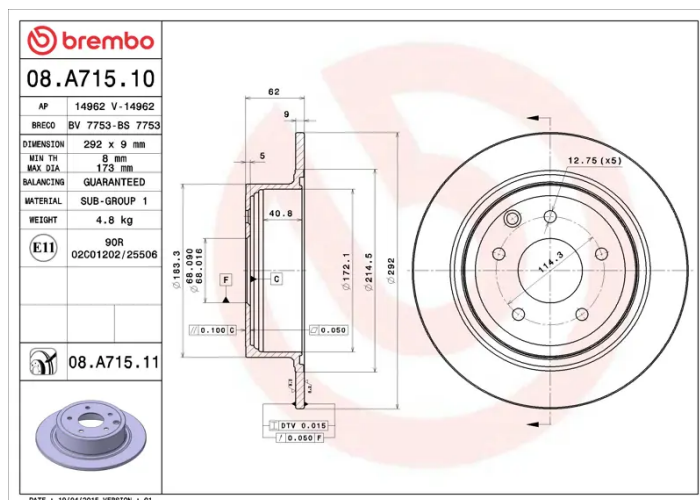
Height (A)
62 mm

Number of holes (C)
5

Brake disc type
Solid

Centering (B)
68 mm

Min. thickness
8 mm



COMPATIBLE VEHICLES

COMPATIBLE OE PART NUMBERS

432069W000	INFINITI
43206JD00A	INFINITI
43206JD00B	INFINITI
43206015VA	NISSAN
432063SC0A	NISSAN
432063Z600	NISSAN
432067Y000	NISSAN
432068J100	NISSAN
432068J101	NISSAN
432068J102	NISSAN
432069W000	NISSAN
432069Y000	NISSAN
43206JA00A	NISSAN
43206JA00B	NISSAN
43206JD00A	NISSAN
43206JD00B	NISSAN
43206JE20A	NISSAN
43206JN80A	NISSAN
43206LE02A	NISSAN
43206ZX00A	NISSAN
43206ZX00B	NISSAN
D3206JD00AVA	NISSAN
432069W100	NISSAN (DFAC)
43206JE20A	NISSAN (DFAC)
43206JE20AC166D	RENAULT
43206JE20A	RENAULT (DFAC)