



BRAKE DISC

08.C309.10

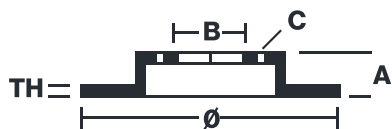
The **08.C309.10** brake disc is synonymous with reliability

The Brembo brake disc is fully interchangeable with an Original Equipment brake disc. The control of the entire production cycle allows Brembo to offer brake discs with outstanding performance levels, reliability, durability and comfort in all conditions of use. All Brembo brake discs are accompanied by the ECE-R90 homologation.

- ✓ OE-equivalent
- ✓ Brembo quality
- ✓ ECE-R90 certificate
- ✓ Safety
- ✓ Fastening screws



Technical specifications



EAN code
8020584218990

Axle
Rear

Diameter \varnothing
290 mm

Thickness (TH)
12 mm

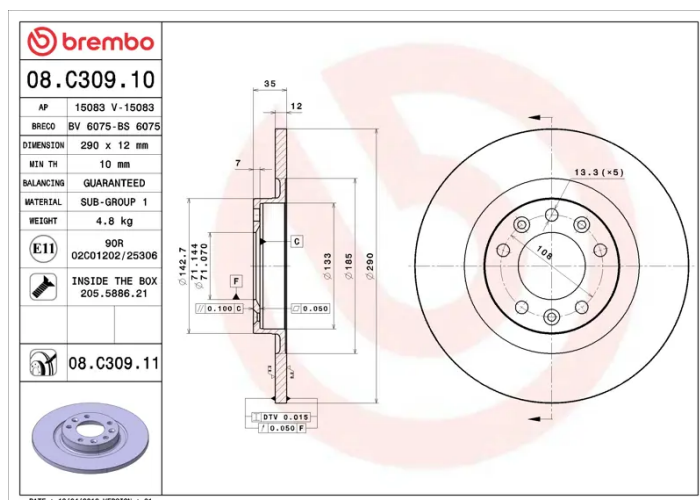
Height (A)
35 mm

Number of holes (C)
5

Brake disc type
Solid

Centering (B)
71 mm

Min. thickness
10 mm



COMPATIBLE VEHICLES

COMPATIBLE OE PART NUMBERS

1609583080	CITROËN
1642776480	CITROËN
1609583080	CITROËN (DF-PSA)
1609583080	DS
1642776480	DS
1687772680	DS
1609583080	OPEL
1642776480	OPEL
3637360	OPEL
1609583080	PEUGEOT
1642776480	PEUGEOT
1687772680	PEUGEOT
1609583080	PEUGEOT (DF-PSA)
SU001A6145	TOYOTA
1609583080	VAUXHALL
1642776480	VAUXHALL
3637360	VAUXHALL