



# BRAKE DISC

## 09.7263.30

The 09.7263.30 brake disc is synonymous with reliability

The Brembo brake disc is fully interchangeable with an Original Equipment brake disc. The control of the entire production cycle allows Brembo to offer brake discs with outstanding performance levels, reliability, durability and comfort in all conditions of use. All Brembo brake discs are accompanied by the ECE-R90 homologation.

- ✓ OE-equivalent
- ✓ Brembo quality
- ✓ ECE-R90 certificate
- ✓ Safety
- ✓ High carbon
- ✓ PVT ventilation



### Technical specifications



EAN code  
8020584726334

Axle  
Rear

Diameter Ø  
290 mm

Thickness (TH)  
22 mm

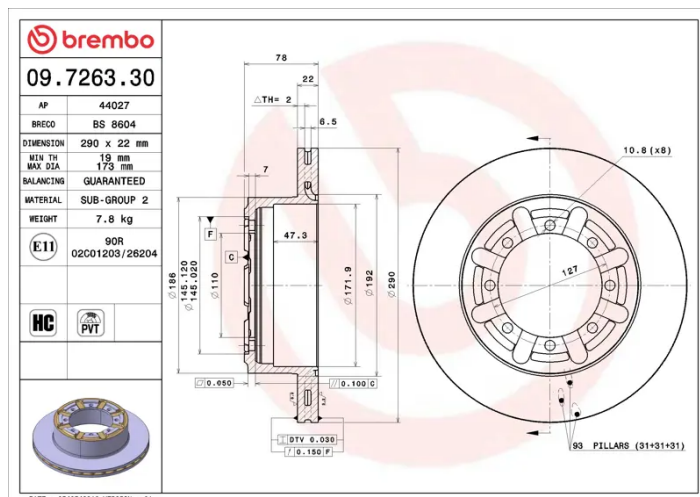
Height (A)  
78 mm

Number of holes (C)  
8

Brake disc type  
Ventilated

Centering (B)  
145 mm

Min. thickness  
19 mm



COMPATIBLE VEHICLES

## COMPATIBLE OE PART NUMBERS

43206MA50A

NISSAN

---

432079X100

NISSAN

---

5001871282

RENAULT TRUCKS

---