



BRAKE DISC PAINTED

09.8003.11

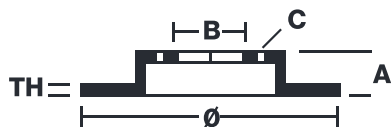
The 09.8003.11 painted brake disc is synonymous with reliability

The Brembo brake disc with special UV paint treatment guarantees superior corrosion resistance for the product, thanks to the protective coating on the outer edges and on the disc hub. The UV paint not only gives the disc a clean, shiny appearance but is also beneficial for the environment as the water-based UV paint treatment does not require the use of chemical solvents and is a low energy consumption process.

- ✓ OE-equivalent
- ✓ Brembo quality
- ✓ ECE-R90 certificate
- ✓ Safety
- ✓ Anti-corrosion
- ✓ PVT ventilation



Technical specifications



EAN code
8020584023464

Axle
Front and rear

Diameter Ø
285 mm

Thickness (TH)
28 mm

Height (A)
44 mm

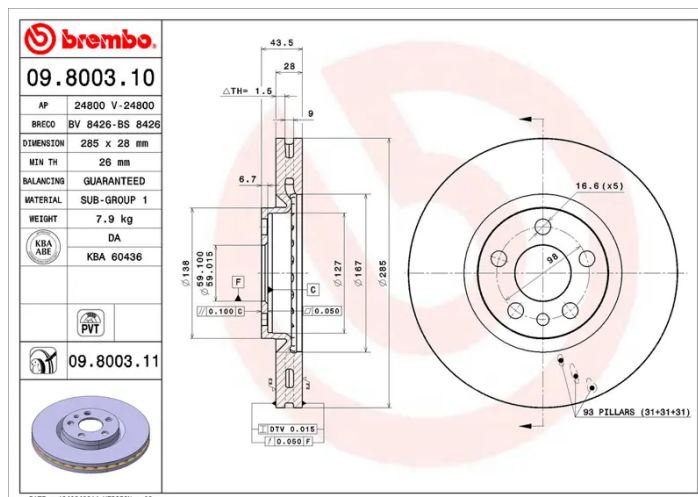
Number of holes (C)
5

Brake disc type
Ventilated

Centering (B)
59 mm

Min. thickness
26 mm

Tightening torque
100 Nm



COMPATIBLE VEHICLES

COMPATIBLE OE PART NUMBERS

1618862880	CITROËN
4246P2	CITROËN
4249H7	CITROËN
E169146	CITROËN
1325772080	FIAT
1331301080	FIAT
1340179080	FIAT
1340193080	FIAT
1325772080	LANCIA
1331301080	LANCIA
1340179080	LANCIA
1340193080	LANCIA
10008343	MG
10023289	MG
SDB000960	MG
10008343	MG (SAIC)
10023289	MG (SAIC)
SDB000960	MG (SAIC)
1618862880	PEUGEOT
4246P1	PEUGEOT
4246P2	PEUGEOT
4249H7	PEUGEOT
E169146	PEUGEOT
10008343	ROEWE (SAIC)
10023289	ROEWE (SAIC)
SDB000960	ROEWE (SAIC)