



BRAKE DISC PAINTED

09.A047.31

The **09.A047.31** painted brake disc is synonymous with reliability

The Brembo brake disc with special UV paint treatment guarantees superior corrosion resistance for the product, thanks to the protective coating on the outer edges and on the disc hub. The UV paint not only gives the disc a clean, shiny appearance but is also beneficial for the environment as the water-based UV paint treatment does not require the use of chemical solvents and is a low energy consumption process.

- ✓ OE-equivalent
- ✓ Brembo quality
- ✓ ECE-R90 certificate
- ✓ Safety
- ✓ High carbon
- ✓ Anti-corrosion
- ✓ PVT ventilation



Technical specifications



EAN code
8020584017814

Axle
Front

Diameter Ø
294 mm

Thickness (TH)
22 mm

Height (A)
44 mm

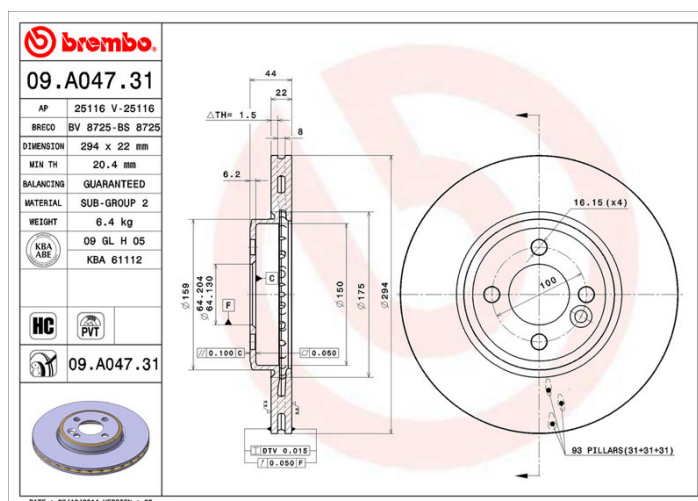
Number of holes (C)
4

Brake disc type
Ventilated

Centering (B)
64 mm

Min. thickness
20,4 mm

Tightening torque
120 Nm



COMPATIBLE OE PART NUMBERS

34116774986

MINI

34116858652

MINI
