



# BRAKE DISC PAINTED

## 09.A185.11

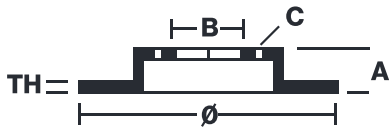
The 09.A185.11 painted brake disc is synonymous with reliability

The Brembo brake disc with special UV paint treatment guarantees superior corrosion resistance for the product, thanks to the protective coating on the outer edges and on the disc hub. The UV paint not only gives the disc a clean, shiny appearance but is also beneficial for the environment as the water-based UV paint treatment does not require the use of chemical solvents and is a low energy consumption process.



- ✓ OE-equivalent
- ✓ Brembo quality
- ✓ ECE-R90 certificate
- ✓ Safety
- ✓ High carbon
- ✓ Anti-corrosion
- ✓ PVT ventilation
- ✓ Fastening screws

### Technical specifications



**EAN code**  
**8020584028353**

**Axle**  
**Front and rear**

**Diameter  $\varnothing$**   
**302 mm**

**Thickness (TH)**  
**26 mm**

**Height (A)**  
**34 mm**

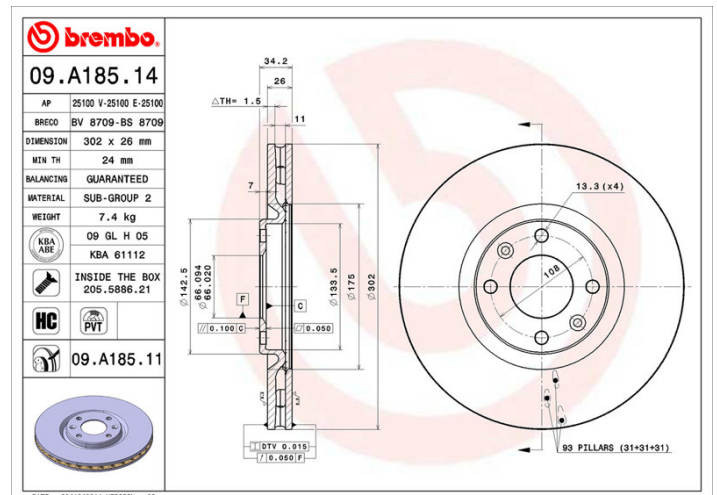
**Number of holes (C)**  
**4**

**Brake disc type**  
**Ventilated**

**Centering (B)**  
**66 mm**

**Min. thickness**  
**24 mm**

**Tightening torque**  
**90 Nm**



## COMPATIBLE OE PART NUMBERS

1611841780	CITROËN
1618864980	CITROËN
424981	CITROËN
424986	CITROËN
4249J8	CITROËN
9801876680	CITROËN (DF-PSA)
1611841780	DS
1618864980	DS
424981	DS
424986	DS
4249J8	DS
9801876680	DS (CAPSA)
4249J8	OPEL
1611841780	PEUGEOT
1618864980	PEUGEOT
1687772780	PEUGEOT
424964	PEUGEOT
424980	PEUGEOT
424981	PEUGEOT
424986	PEUGEOT
4249J8	PEUGEOT
4249J8	PEUGEOT (DF-PSA)
9801876680	PEUGEOT (DF-PSA)
4249J8	VAUXHALL