



BRAKE DISC PAINTED

09.B266.11

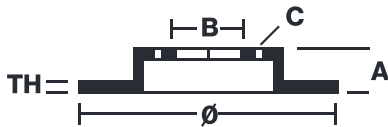
The 09.B266.11 painted brake disc is synonymous with reliability

The Brembo brake disc with special UV paint treatment guarantees superior corrosion resistance for the product, thanks to the protective coating on the outer edges and on the disc hub. The UV paint not only gives the disc a clean, shiny appearance but is also beneficial for the environment as the water-based UV paint treatment does not require the use of chemical solvents and is a low energy consumption process.

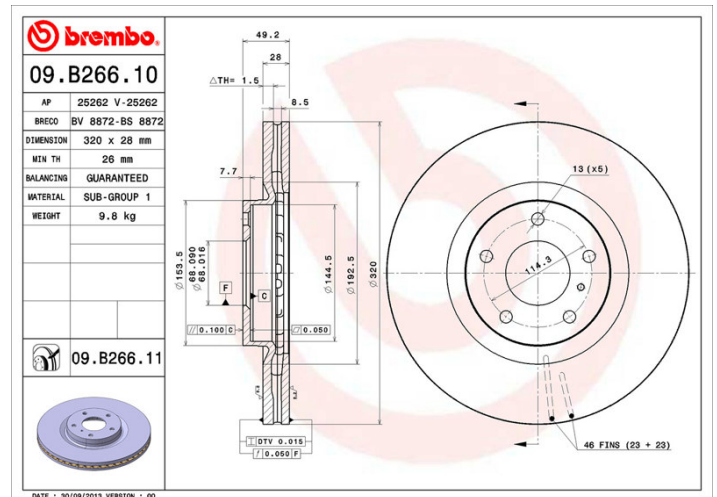
- ✓ OE-equivalent
- ✓ Brembo quality
- ✓ ECE-R90 certificate
- ✓ Safety
- ✓ Anti-corrosion



Technical specifications



EAN code 8020584032572	Axle Front	Diameter Ø 320 mm
Thickness (TH) 28 mm	Height (A) 49 mm	Number of holes (C) 5
Brake disc type Ventilated	Centering (B) 68 mm	Min. thickness 26 mm



COMPATIBLE VEHICLES

COMPATIBLE OE PART NUMBERS

40206CG010	INFINITI
------------	----------

40206EG000	INFINITI
------------	----------

402067Y000	NISSAN
------------	--------

402069N00A	NISSAN
------------	--------

402069N00C	NISSAN
------------	--------

40206CA000	NISSAN
------------	--------

40206CA010	NISSAN
------------	--------

40206EG000	NISSAN
------------	--------

40206EG00B	NISSAN
------------	--------

40206ZA500	NISSAN
------------	--------

D0206ZA500	NISSAN
------------	--------