



# BRAKE DISC PAINTED

## 09.B461.11

The **09.B461.11** painted brake disc is synonymous with reliability

The Brembo brake disc with special UV paint treatment guarantees superior corrosion resistance for the product, thanks to the protective coating on the outer edges and on the disc hub. The UV paint not only gives the disc a clean, shiny appearance but is also beneficial for the environment as the water-based UV paint treatment does not require the use of chemical solvents and is a low energy consumption process.

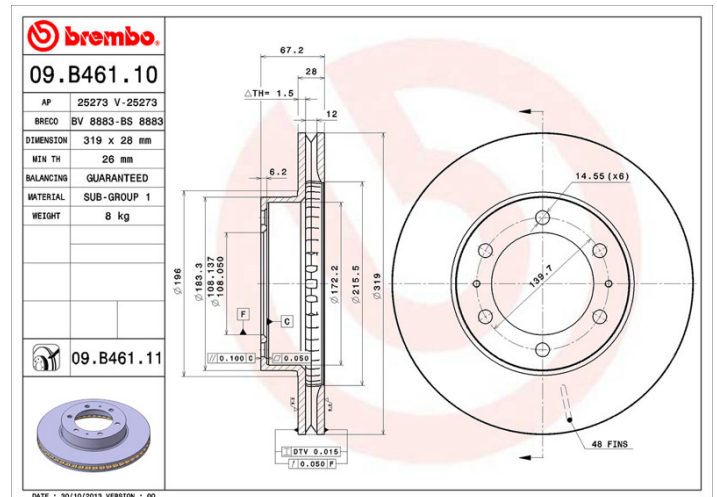
- ✓ OE-equivalent
- ✓ Brembo quality
- ✓ ECE-R90 certificate
- ✓ Safety
- ✓ Anti-corrosion



### Technical specifications



EAN code <b>8020584032480</b>	Axle <b>Front</b>	Diameter Ø <b>319 mm</b>
Thickness (TH) <b>28 mm</b>	Height (A) <b>67 mm</b>	Number of holes (C) <b>6</b>
Brake disc type <b>Ventilated</b>	Centering (B) <b>108 mm</b>	Min. thickness <b>26 mm</b>
Tightening torque <b>112 Nm</b>		



COMPATIBLE VEHICLES

## COMPATIBLE OE PART NUMBERS

4351204050	TOYOTA
------------	--------

4351204051	TOYOTA
------------	--------

4351204052	TOYOTA
------------	--------

435120K230	TOYOTA
------------	--------

4351235320	TOYOTA
------------	--------

4351235321	TOYOTA
------------	--------

4351235322	TOYOTA
------------	--------