



BRAKE DISC

09.B463.10

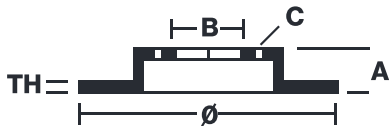
The **09.B463.10** brake disc is synonymous with reliability

The Brembo brake disc is fully interchangeable with an Original Equipment brake disc. The control of the entire production cycle allows Brembo to offer brake discs with outstanding performance levels, reliability, durability and comfort in all conditions of use. All Brembo brake discs are accompanied by the ECE-R90 homologation.

- ✓ OE-equivalent
- ✓ Brembo quality
- ✓ ECE-R90 certificate
- ✓ Safety
- ✓ High carbon
- ✓ Fastening screws



Technical specifications



EAN code
8020584018798

Axle
Front

Diameter \varnothing
269 mm

Thickness (TH)
22,5 mm

Height (A)
44 mm

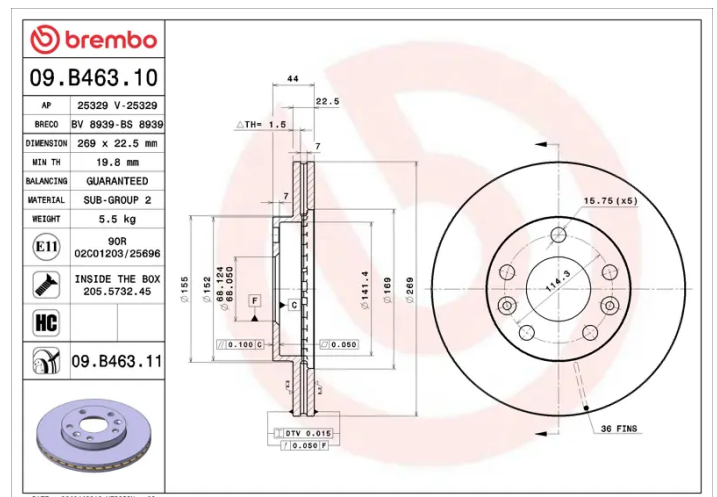
Number of holes (C)
5

Brake disc type
Ventilated

Centering (B)
68 mm

Min. thickness
19,8 mm

Tightening torque
120 Nm



COMPATIBLE OE PART NUMBERS

402066300R DACIA

8660002096 DACIA

4020600Q0M NISSAN

4020600Q1A NISSAN

402066300R NISSAN

402061715R RENAULT

402066300R RENAULT

8660002096 RENAULT
