



BRAKE DISC PAINTED

09.B969.11

The 09.B969.11 painted brake disc is synonymous with reliability

The Brembo brake disc with special UV paint treatment guarantees superior corrosion resistance for the product, thanks to the protective coating on the outer edges and on the disc hub. The UV paint not only gives the disc a clean, shiny appearance but is also beneficial for the environment as the water-based UV paint treatment does not require the use of chemical solvents and is a low energy consumption process.



- ✓ OE-equivalent
- ✓ Brembo quality
- ✓ ECE-R90 certificate
- ✓ Safety
- ✓ High carbon
- ✓ Anti-corrosion
- ✓ PVT ventilation
- ✓ Fastening screws

Technical specifications



EAN code
8020584218396

Axle
Rear

Diameter Ø
330 mm

Thickness (TH)
22 mm

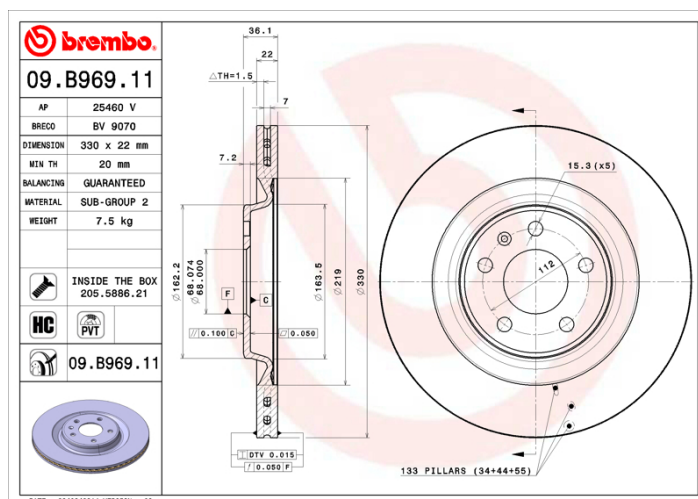
Height (A)
36 mm

Number of holes (C)
5

Brake disc type
Ventilated

Centering (B)
68 mm

Min. thickness
20 mm



COMPATIBLE OE PART NUMBERS

4H0615601D	AUDI
------------	------

4H0615601H	AUDI
------------	------

4H0615601K	AUDI
------------	------

4H0615601Q	AUDI
------------	------

80A615601A	AUDI
------------	------

80A615601C	AUDI
------------	------

8W0615601E	AUDI
------------	------

8W0615601K	AUDI
------------	------

4H0615601H	AUDI (FAW)
------------	------------

4H0615601K	AUDI (FAW)
------------	------------

4H0615601Q	AUDI (FAW)
------------	------------

80D615601	AUDI (FAW)
-----------	------------

8W0615601E	AUDI (FAW)
------------	------------

8W0615601K	AUDI (FAW)
------------	------------

L80D615601	AUDI (FAW)
------------	------------

95B615601A	PORSCHE
------------	---------

95B615601F	PORSCHE
------------	---------

95B615601G	PORSCHE
------------	---------

4H0615601Q	VW
------------	----

8W0615601K	VW
------------	----

4H0615601K	VW (SVW)
------------	----------

4H0615601Q	VW (SVW)
------------	----------