



# BRAKE DISC PAINTED

## 09.N236.21

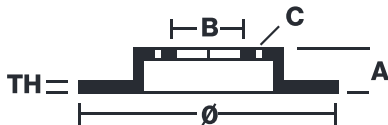
The 09.N236.21 painted brake disc is synonymous with reliability

The Brembo brake disc with special UV paint treatment guarantees superior corrosion resistance for the product, thanks to the protective coating on the outer edges and on the disc hub. The UV paint not only gives the disc a clean, shiny appearance but is also beneficial for the environment as the water-based UV paint treatment does not require the use of chemical solvents and is a low energy consumption process.

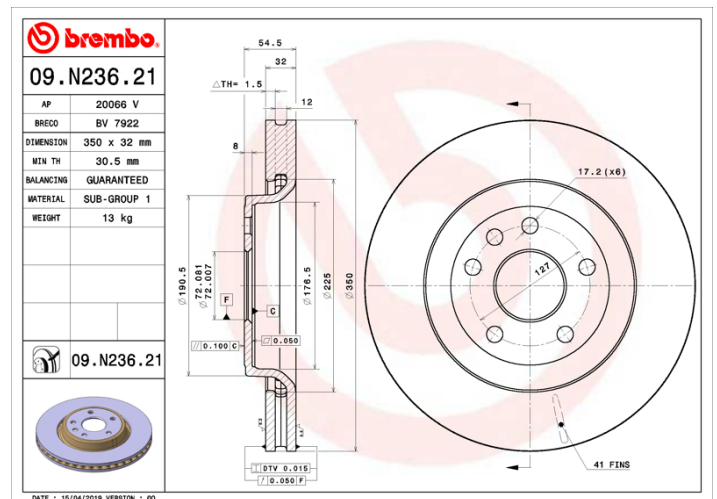
- ✓ OE-equivalent
- ✓ Brembo quality
- ✓ ECE-R90 certificate
- ✓ Safety
- ✓ Anti-corrosion



### Technical specifications



EAN code <b>8020584238967</b>	Axle <b>Front</b>	Diameter Ø <b>350 mm</b>
Thickness (TH) <b>32 mm</b>	Height (A) <b>55 mm</b>	Number of holes (C) <b>6</b>
Brake disc type <b>Ventilated</b>	Centering (B) <b>72 mm</b>	Min. thickness <b>30,5 mm</b>



COMPATIBLE VEHICLES

## COMPATIBLE OE PART NUMBERS

00K68240048AA	CHRYSLER
---------------	----------

2AMV5012AD	DODGE
------------	-------

68035012AB	DODGE
------------	-------

00K04755569AA	JEEP
---------------	------

00K68035012AE	JEEP
---------------	------

00K68240046AA	JEEP
---------------	------

2AMV5012AD	JEEP
------------	------

4755569AA	JEEP
-----------	------

68035012AB	JEEP
------------	------

68035012AC	JEEP
------------	------

68035012AD	JEEP
------------	------

68035012AE	JEEP
------------	------

68240046AA	JEEP
------------	------