



BRAKE PAD NAO P06070N

The P06070N NAO brake pad is synonymous with reliability

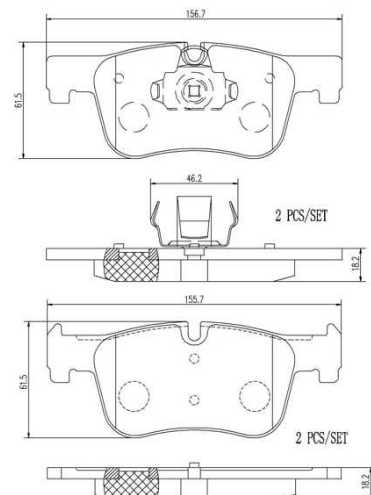
Brembo NAO brake pads stand out for their ultimate braking comfort, reduced friction wear and low dust mission, which makes for cleaner rims and reduced maintenance requirements. The advanced friction material in keeping with the strictest environmental standards is the main distinguishing feature of NAO compounds.

- ✓ OE-equivalent
- ✓ Brembo quality
- ✓ Safety
- ✓ Comfort
- ✓ Durability
- ✓ Dust reduction
- ✓ With accessories



Technical specifications

EAN code 8020584087992	Axle Front	Thickness 18 mm
Width 156 mm	Height 62 mm	Braking system Teves
Wear indicator Prepared for wear indicator	WVA number 25506,25507	Accessories With anti-squeal shim With piston clip



COMPATIBLE VEHICLES

COMPATIBLE OE PART NUMBERS

34106884243 BMW

34112468431 BMW

34116850568 BMW

34116874331 BMW

34118855002 BMW

8855002 BMW
