



BRAKE PAD NAO P28039N

The P28039N NAO brake pad is synonymous with reliability

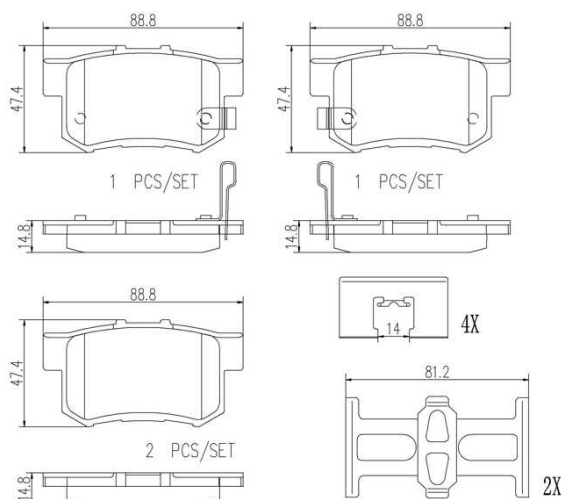
Brembo NAO brake pads stand out for their ultimate braking comfort, reduced friction wear and low dust mission, which makes for cleaner rims and reduced maintenance requirements. The advanced friction material in keeping with the strictest environmental standards is the main distinguishing feature of NAO compounds.

- ✓ OE-equivalent
- ✓ Brembo quality
- ✓ Safety
- ✓ Comfort
- ✓ Durability
- ✓ Dust reduction
- ✓ With accessories



Technical specifications

EAN code 8020584097717	Axle Rear	Thickness 15 mm
Width 89 mm	Height 47 mm	Braking system Nissin
Wear indicator Acoustic	WVA number 23653,23652,23736	Accessories With accessories With anti-squeal shim



COMPATIBLE VEHICLES

COMPATIBLE OE PART NUMBERS

43022S9AA01 ACURA

43022SEPA00 ACURA

43022SEPA01 ACURA

43022SEPC00 ACURA

43022SEPC01 ACURA

43022STKA00 ACURA

43022STKA01 ACURA

43022STKA02 ACURA

43022SZ3A02 ACURA

4586005 AEOLUS

3502315AKZ16A GREAT WALL

3502315XKZ16A GREAT WALL

3502315AKZ16A HAVAL

3502315XKZ16A HAVAL

06430S6D000 HONDA

06430S9AA00 HONDA

06430SEDE60 HONDA

43022S00000 HONDA

43022S3N000 HONDA

43022S3N010 HONDA

43022S3NE50 HONDA

43022S6D000 HONDA

43022S6DE50 HONDA

43022S6DE51 HONDA

43022S7S010 HONDA

43022S9AA00 HONDA

43022S9AE51 HONDA

43022S9AE52 HONDA

43022SCVA01 HONDA

43022SDMA00 HONDA

43022SEDE60 HONDA

43022SEPA00 HONDA

43022SJFE00 HONDA

43022SP0000 HONDA

43022SP0010 HONDA

43022SP0020 HONDA

43022SP0030 HONDA

43022SV4G00 HONDA

43022SX0A50 HONDA

43022SX0A51 HONDA

43022SX0A52 HONDA

43022SZ3A00 HONDA

43022SZ3A01 HONDA

43022SZ3A02 HONDA

H43022S3N003 HONDA

H4302575003	HONDA
H43025Z3003	HONDA
NBKD6291EF	HONDA
43022T56H00	HONDA (DONGFENG)
5862029840	ISUZU
5862070780	ISUZU
5862072040	ISUZU
5862075190	ISUZU