



# BRAKE PAD PRIME CERAMIC P61066N

The P61066N NAO brake pad is synonymous with reliability

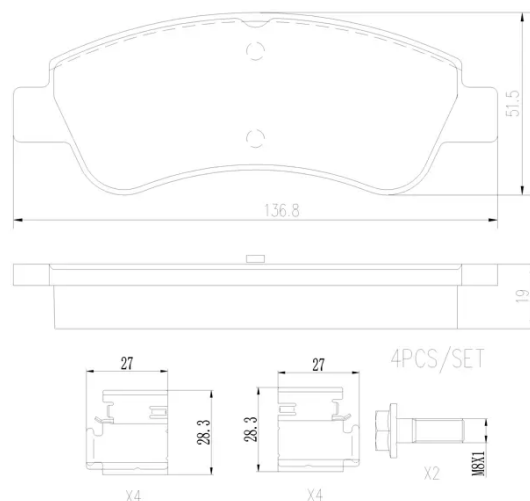
Brembo NAO brake pads stand out for their ultimate braking comfort, reduced friction wear and low dust mission, which makes for cleaner rims and reduced maintenance requirements. The advanced friction material in keeping with the strictest environmental standards is the main distinguishing feature of NAO compounds.

- ✓ OE-equivalent
- ✓ Brembo quality
- ✓ Safety
- ✓ Comfort
- ✓ Durability
- ✓ Dust reduction
- ✓ With accessories



## Technical specifications

EAN code <b>8020584099308</b>	Axle <b>Front</b>	Thickness <b>19 mm</b>
Width <b>137 mm</b>	Height <b>52 mm</b>	Braking system <b>Bosch</b>
Wear indicator <b>Without</b>	WVA number <b>23954</b>	Accessories <b>With accessories</b> <b>With anti-squeal shim</b> <b>With brake caliper bolts</b>



COMPATIBLE VEHICLES

## COMPATIBLE OE PART NUMBERS

1610489680	CITROËN
1611140680	CITROËN
1611293980	CITROËN
1613192280	CITROËN
1613193280	CITROËN
1617282980	CITROËN
1637014580	CITROËN
1682206780	CITROËN
425218	CITROËN
425221	CITROËN
425239	CITROËN
425240	CITROËN
425259	CITROËN
425276	CITROËN
425330	CITROËN
425338	CITROËN
425341	CITROËN
425342	CITROËN
425423	CITROËN
425475	CITROËN
425486	CITROËN
E172124	CITROËN
E172227	CITROËN
E172558	CITROËN
E172590	CITROËN
1613515080	CITROËN (DF-PSA)
425382	CITROËN (DF-PSA)
ZQ92190580	CITROËN (DF-PSA)
ZQ92438580	CITROËN (DF-PSA)
1612293980	DS
1614005880	DS
E172558	DS
E172590	DS
4546000	FENGSHEN
4546004	FENGSHEN
1647863780	OPEL
3649088	OPEL
1610489680	PEUGEOT
1611293980	PEUGEOT
1613192280	PEUGEOT
1614005880	PEUGEOT
1617282980	PEUGEOT
1637014580	PEUGEOT
1646186180	PEUGEOT
425218	PEUGEOT

425221	PEUGEOT
425238	PEUGEOT
425239	PEUGEOT
425240	PEUGEOT
425259	PEUGEOT
425276	PEUGEOT
425330	PEUGEOT
425338	PEUGEOT
425341	PEUGEOT
425342	PEUGEOT
425423	PEUGEOT
425475	PEUGEOT
425486	PEUGEOT
E172124	PEUGEOT
E172361	PEUGEOT
E172558	PEUGEOT
1617292380	PEUGEOT (DF-PSA)
425382	PEUGEOT (DF-PSA)
ZQ92438580	PEUGEOT (DF-PSA)
3649088	VAUXHALL