



BRAKE PAD PRIME CERAMIC P68064N

The P68064N NAO brake pad is synonymous with reliability

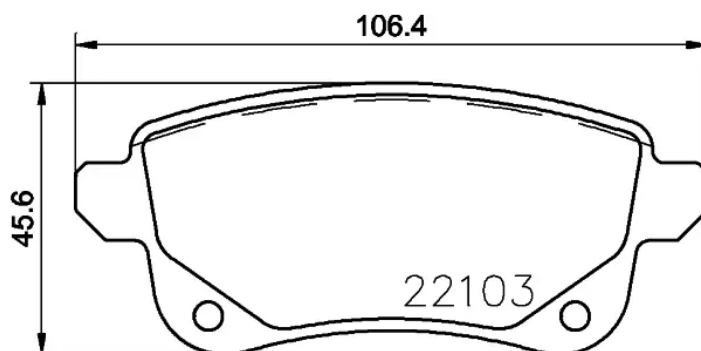
Brembo NAO brake pads stand out for their ultimate braking comfort, reduced friction wear and low dust mission, which makes for cleaner rims and reduced maintenance requirements. The advanced friction material in keeping with the strictest environmental standards is the main distinguishing feature of NAO compounds.

- ✓ OE-equivalent
- ✓ Brembo quality
- ✓ Safety
- ✓ Comfort
- ✓ Durability
- ✓ Dust reduction
- ✓ With accessories



Technical specifications

EAN code	Axle	Thickness
8020584114360	Rear	16 mm
Width	Height	Braking system
106 mm	46 mm	Lucas
Wear indicator	WVA number	Accessories
Without	22103	With anti-squeal shim With brake caliper bolts With accessories



COMPATIBLE VEHICLES

COMPATIBLE OE PART NUMBERS

MQ005265	MITSUBISHI
----------	------------

4406000Q3C	NISSAN
------------	--------

440602652R	RENAULT
------------	---------

440603163R	RENAULT
------------	---------

440608061R	RENAULT
------------	---------

440608235R	RENAULT
------------	---------

440834627R	RENAULT
------------	---------

440602652R	SAMSUNG
------------	---------