



# BRAKE PAD PRIME CERAMIC P85037N

The P85037N NAO brake pad is synonymous with reliability

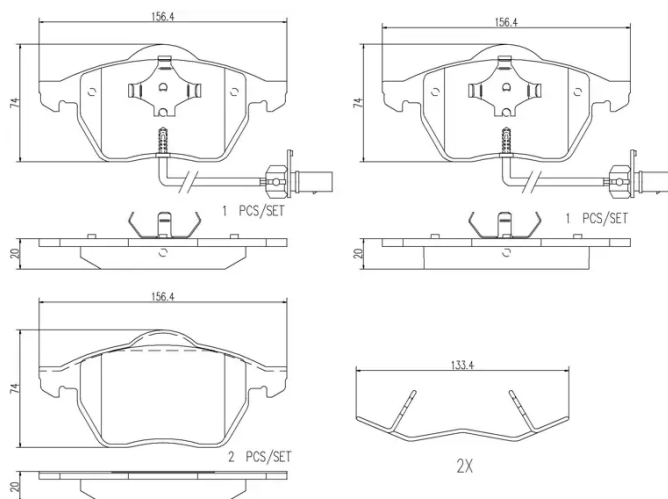
Brembo NAO brake pads stand out for their ultimate braking comfort, reduced friction wear and low dust mission, which makes for cleaner rims and reduced maintenance requirements. The advanced friction material in keeping with the strictest environmental standards is the main distinguishing feature of NAO compounds.

- ✓ OE-equivalent
- ✓ Brembo quality
- ✓ Safety
- ✓ Comfort
- ✓ Durability
- ✓ Dust reduction
- ✓ With accessories



## Technical specifications

EAN code <b>8020584100059</b>	Axle <b>Front</b>	Thickness <b>20 mm</b>
Width <b>156 mm</b>	Height <b>74 mm</b>	Braking system <b>Teves</b>
Wear indicator <b>Electric</b>	WVA number <b>21938,21939,20676</b>	Accessories <b>With accessories With anti-squeal shim With piston clip</b>



COMPATIBLE VEHICLES

## COMPATIBLE OE PART NUMBERS

4B0615116 AUDI

4B0615116A AUDI

4B0615116F AUDI

4B0615116G AUDI

4B0698151 AUDI

4B0698151A AUDI

4B0698151B AUDI

4B0698151H AUDI

4F0698151 AUDI

4B0615116 SEAT

4B0615116A SEAT

4B0615116F SEAT

4B0615116G SEAT

4B0698151 SEAT

4B0698151A SEAT

4B0698151B SEAT

4B0698151H SEAT

4F0698151 SEAT

4B0615116 SKODA

4B0615116A SKODA

4B0615116F SKODA

4B0615116G SKODA

4B0698151 SKODA

4B0698151A SKODA

4B0698151B SKODA

4B0698151H SKODA

4F0698151 SKODA

4B0615116 VW

4B0615116A VW

4B0615116F VW

4B0615116G VW

4B0698151 VW

4B0698151A VW

4B0698151B VW

4B0698151H VW

4F0698151 VW