



# BRAKE PAD

## P 06 032

The P 06 032 brake pad is synonymous with reliability

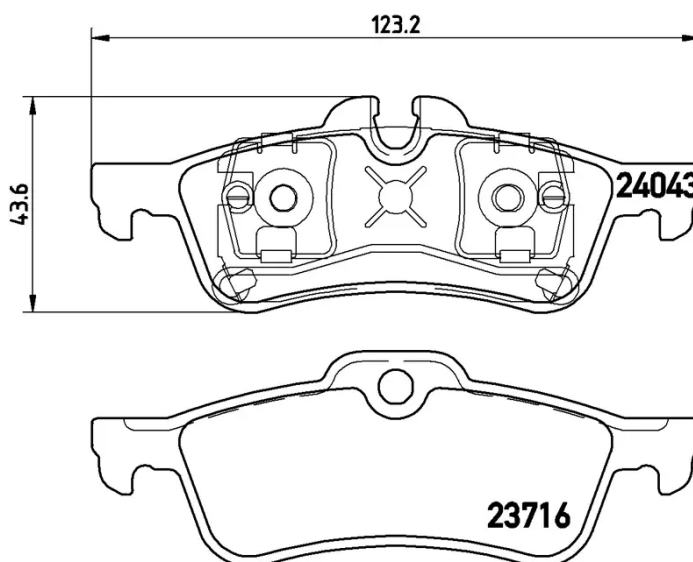
The Brembo brake pad guarantees ultimate safety when braking thanks to the use of more than 100 different compounds, designed according to the type of vehicle and use. Stopping distances reduced to a minimum, maximum driving comfort and silent operation are the most important features of Brembo materials. Brembo brake pads are supplied together with an extensive range of accessories and assembly kits for professional-standard installation.

- ✓ OE-equivalent
- ✓ Brembo quality
- ✓ ECE-R90 certificate
- ✓ Safety
- ✓ Performance
- ✓ Comfort



### Technical specifications

EAN code	Axle	Thickness
<b>8020584050323</b>	<b>Rear</b>	<b>16 mm</b>
Width	Height	Braking system
<b>123 mm</b>	<b>44 mm</b>	<b>Teves</b>
Wear indicator	WVA number	Accessories
<b>Prepared for wear indicator</b>	<b>23716,24043</b>	<b>With anti-squeal shim</b>



COMPATIBLE VEHICLES

## COMPATIBLE OE PART NUMBERS

34216770252	BMW
-------------	-----

1503077	MINI
---------	------

2166621	MINI
---------	------

34211503077	MINI
-------------	------

34212166621	MINI
-------------	------

34216761288	MINI
-------------	------

34216762871	MINI
-------------	------

34216770252	MINI
-------------	------

34316786873	MINI
-------------	------

6761288	MINI
---------	------

6762871	MINI
---------	------

6786873	MINI
---------	------