



BRAKE PAD XTRA P 23 152X

The P 23 152X Xtra brake pad is synonymous with reliability

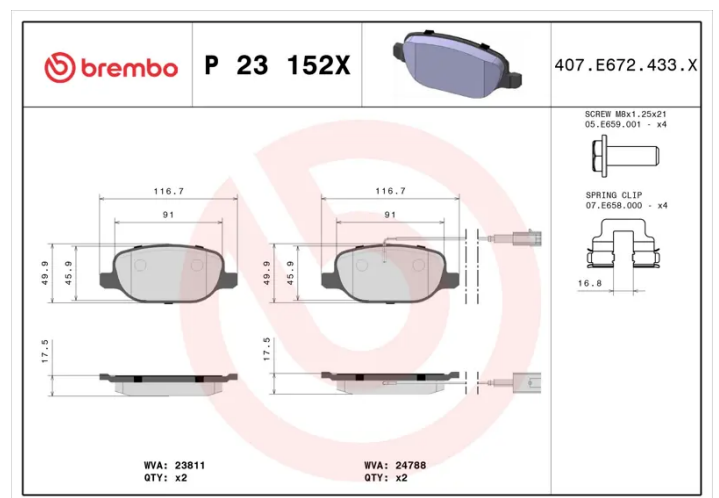
Brembo Xtra brake pads, developed to enhance the advantages of the Xtra and Max discs, are made using the special BRM X L01 compound which consists of more than 30 different components. Compared with the compound used for original-equivalent pads, the new solution assures a higher friction coefficient, which translates to more precise and stable braking, at both high and low temperatures. All this makes for greater driving comfort and improved pedal modularity, without compromising the product's mileage output.



- ✓ OE-equivalent
- ✓ Brembo quality
- ✓ ECE-R90 certificate
- ✓ Safety
- ✓ Performance
- ✓ Sports driving
- ✓ With accessories

Technical specifications

EAN code 8020584068724	Axle Rear	Thickness 18 mm
Width 117 mm	Height 50 mm	Braking system Lucas
Wear indicator Electric	WVA number 23811,24788	Accessories With accessories With anti-squeal shim With brake caliper bolts



COMPATIBLE VEHICLES

COMPATIBLE OE PART NUMBERS

71770096 ALFA ROMEO

77365542 ALFA ROMEO
