



BRAKE PAD

P 24 187G

The P 24 187G brake pad is synonymous with reliability

The Brembo brake pad guarantees ultimate safety when braking thanks to the use of more than 100 different compounds, designed according to the type of vehicle and use. Stopping distances reduced to a minimum, maximum driving comfort and silent operation are the most important features of Brembo materials. Brembo brake pads are supplied together with an extensive range of accessories and assembly kits for professional-standard installation.

- ✓ OE-equivalent
- ✓ Brembo quality
- ✓ ECE-R90 certificate
- ✓ Safety
- ✓ Performance
- ✓ Comfort
- ✓ With accessories

Technical specifications

EAN code
8020584125090

Axle
Rear

Thickness
17 mm

Width
137 mm

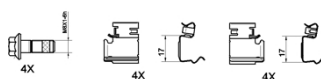
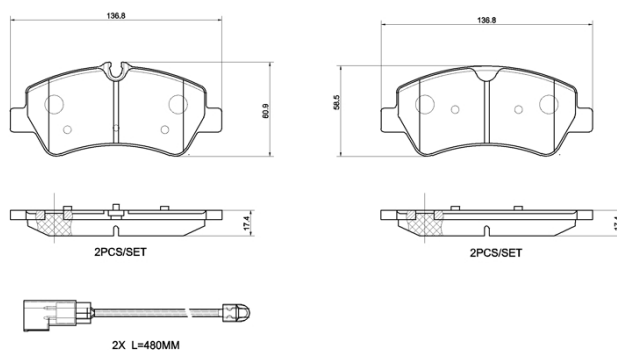
Height
59 mm

Braking system
TRW

Wear indicator
Electric

WVA number
25603,25604

Accessories
With brake caliper bolts
With accessories



COMPATIBLE VEHICLES