



# BRAKE PAD

## P 28 047

The P 28 047 brake pad is synonymous with reliability

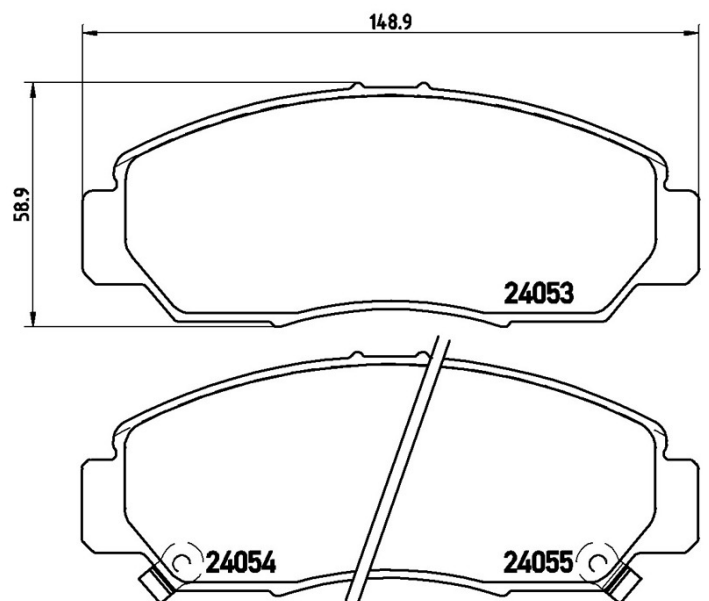
The Brembo brake pad guarantees ultimate safety when braking thanks to the use of more than 100 different compounds, designed according to the type of vehicle and use. Stopping distances reduced to a minimum, maximum driving comfort and silent operation are the most important features of Brembo materials. Brembo brake pads are supplied together with an extensive range of accessories and assembly kits for professional-standard installation.

- ✓ OE-equivalent
- ✓ Brembo quality
- ✓ ECE-R90 certificate
- ✓ Safety
- ✓ Performance
- ✓ Comfort



### Technical specifications

EAN code	Axle	Thickness
8020584060605	Front	17 mm
Width	Height	Braking system
149 mm	59 mm	Sumitomo
Wear indicator	WVA number	
Acoustic	24054,24055,24053	



COMPATIBLE VEHICLES

## COMPATIBLE OE PART NUMBERS

06450S7AE00	HONDA
06450S7AE50	HONDA
06450SJFE00	HONDA
45022SDAC00	HONDA
45022SDBA00	HONDA
45022SDBA10	HONDA
45022SDBA11	HONDA
45022SDDA10	HONDA
45022SDRA10	HONDA
45022SDRA11	HONDA
45022SMA010	HONDA
45022TSAK00	HONDA
45022TP5H00	HONDA (DONGFENG)