



BRAKE PAD

P 44 030

The P 44 030 brake pad is synonymous with reliability

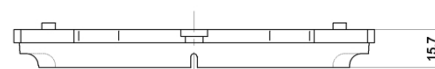
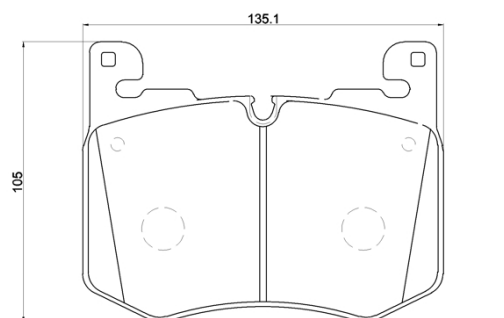
The Brembo brake pad guarantees ultimate safety when braking thanks to the use of more than 100 different compounds, designed according to the type of vehicle and use. Stopping distances reduced to a minimum, maximum driving comfort and silent operation are the most important features of Brembo materials. Brembo brake pads are supplied together with an extensive range of accessories and assembly kits for professional-standard installation.

- ✓ OE-equivalent
- ✓ Brembo quality
- ✓ ECE-R90 certificate
- ✓ Safety
- ✓ Performance
- ✓ Comfort
- ✓ With accessories



Technical specifications

| | | |
|------------------------------------|---------------|------------------------------|
| EAN code | Axle | Thickness |
| 8020584118214 | Front | 16 mm |
| Width | Height | Braking system |
| 135 mm | 105 mm | Brembo |
| Wear indicator | WVA number | Accessories |
| Prepared for wear indicator | 22651 | With anti-squeal shim |
| | | With accessories |
| | | With counterweights |



4PCS/SET

COMPATIBLE VEHICLES

COMPATIBLE OE PART NUMBERS

02T4A34066 JAGUAR

T4A32804 JAGUAR

T4A34066 JAGUAR

T4A39392 JAGUAR

LR119717 LAND ROVER

LR134709 LAND ROVER
