



# BRAKE PAD

## P 49 049

**The P 49 049 brake pad is synonymous with reliability**

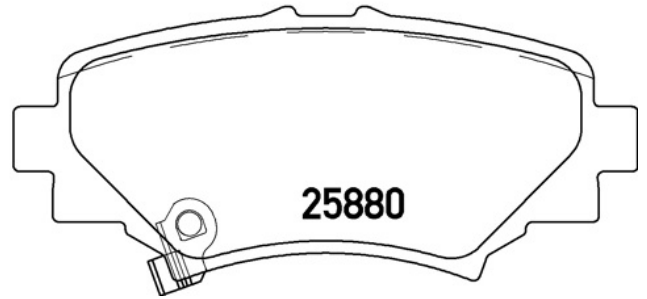
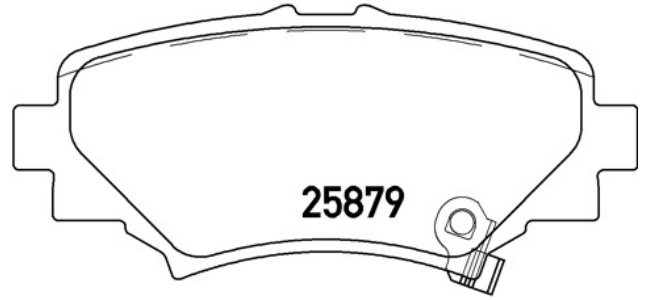
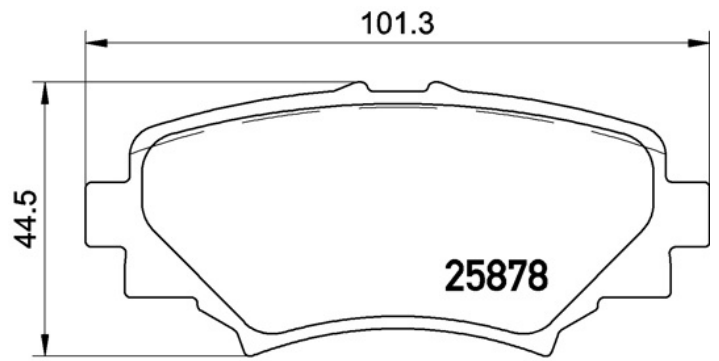
The Brembo brake pad guarantees ultimate safety when braking thanks to the use of more than 100 different compounds, designed according to the type of vehicle and use. Stopping distances reduced to a minimum, maximum driving comfort and silent operation are the most important features of Brembo materials. Brembo brake pads are supplied together with an extensive range of accessories and assembly kits for professional-standard installation.

- ✓ OE-equivalent
- ✓ Brembo quality
- ✓ ECE-R90 certificate
- ✓ Safety
- ✓ Performance
- ✓ Comfort



## Technical specifications

EAN code	Axle	Thickness
8020584112625	Rear	14 mm
Width	Height	Braking system
101 mm	45 mm	Akebono
Wear indicator	WVA number	
Acoustic	25879,25878,25880	



COMPATIBLE VEHICLES

## COMPATIBLE OE PART NUMBERS

B4Y02648ZA	MAZDA
B4Y02648ZB	MAZDA
B4Y02648ZC	MAZDA