



BRAKE PAD

P 59 081

The P 59 081 brake pad is synonymous with reliability

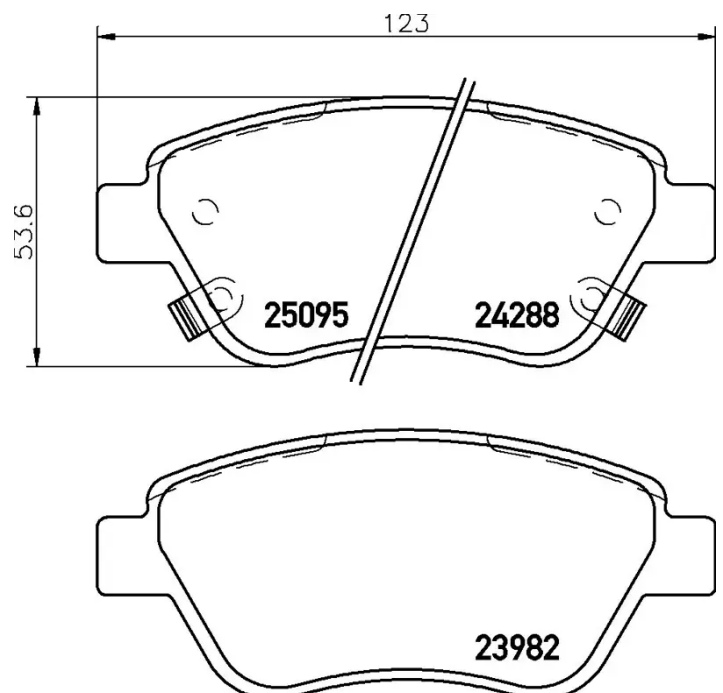
The Brembo brake pad guarantees ultimate safety when braking thanks to the use of more than 100 different compounds, designed according to the type of vehicle and use. Stopping distances reduced to a minimum, maximum driving comfort and silent operation are the most important features of Brembo materials. Brembo brake pads are supplied together with an extensive range of accessories and assembly kits for professional-standard installation.



- ✓ OE-equivalent
- ✓ Brembo quality
- ✓ ECE-R90 certificate
- ✓ Safety
- ✓ Performance
- ✓ Comfort
- ✓ With accessories

Technical specifications

| | | |
|-----------------------------------|--|---|
| EAN code 8020584110195 | Axle Front | Thickness 17 mm |
| Width 123 mm | Height 54 mm | Braking system Bosch |
| Wear indicator Acoustic | WVA number 23932,24288,25095 | Accessories With accessories With anti-squeal shim With brake caliper bolts |



COMPATIBLE OE PART NUMBERS

| | |
|---------|------|
| 1605184 | OPEL |
|---------|------|

| | |
|----------|------|
| 95513810 | OPEL |
|----------|------|

| | |
|---------|----------|
| 1605184 | VAUXHALL |
|---------|----------|

| | |
|----------|----------|
| 95513810 | VAUXHALL |
|----------|----------|
