



# BRAKE PAD

## P 79 018

The P 79 018 brake pad is synonymous with reliability

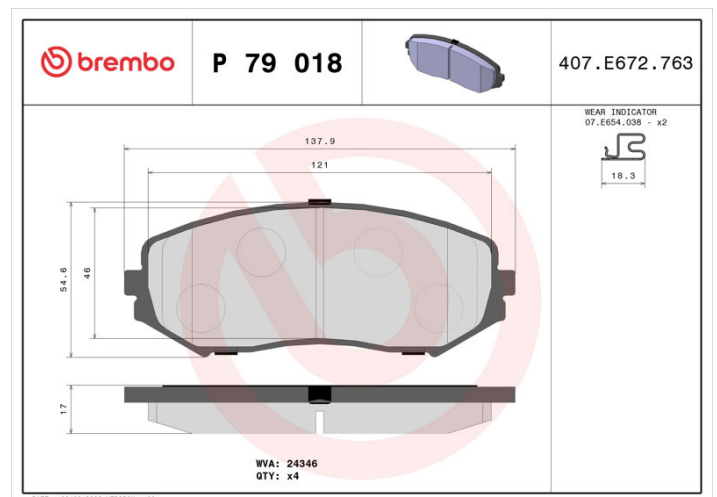
The Brembo brake pad guarantees ultimate safety when braking thanks to the use of more than 100 different compounds, designed according to the type of vehicle and use. Stopping distances reduced to a minimum, maximum driving comfort and silent operation are the most important features of Brembo materials. Brembo brake pads are supplied together with an extensive range of accessories and assembly kits for professional-standard installation.

- ✓ OE-equivalent
- ✓ Brembo quality
- ✓ ECE-R90 certificate
- ✓ Safety
- ✓ Performance
- ✓ Comfort



### Technical specifications

EAN code	Axle	Thickness
<b>8020584062081</b>	<b>Front</b>	<b>17 mm</b>
Width	Height	Braking system
<b>138 mm</b>	<b>55 mm</b>	<b>Tokico</b>
Wear indicator	WVA number	
<b>Acoustic</b>	<b>24346</b>	



COMPATIBLE VEHICLES

## COMPATIBLE OE PART NUMBERS

5520065J00	SUZUKI
------------	--------

5520065J00000	SUZUKI
---------------	--------

5520065J02	SUZUKI
------------	--------

5520065J03	SUZUKI
------------	--------

5520065J03000	SUZUKI
---------------	--------

5520065J10	SUZUKI
------------	--------

5520065J10000	SUZUKI
---------------	--------

5520065J11	SUZUKI
------------	--------

5520065J11000	SUZUKI
---------------	--------

5520065J11L00	SUZUKI
---------------	--------

5520065J20	SUZUKI
------------	--------

5520065J21	SUZUKI
------------	--------

5520065J21000	SUZUKI
---------------	--------

5520065J22	SUZUKI
------------	--------

5520065J22000	SUZUKI
---------------	--------

5520065J23	SUZUKI
------------	--------

5520065J23000	SUZUKI
---------------	--------

5520065J24	SUZUKI
------------	--------

5520065J24000	SUZUKI
---------------	--------

5520065J25	SUZUKI
------------	--------

5520065J25000	SUZUKI
---------------	--------

5520065J26	SUZUKI
------------	--------

5520065J26000	SUZUKI
---------------	--------

5520067D10	SUZUKI
------------	--------

5520067D11	SUZUKI
------------	--------

5520067D11000	SUZUKI
---------------	--------