



BRAKE PAD XTRA

P 83 098X

The P 83 098X Xtra brake pad is synonymous with reliability

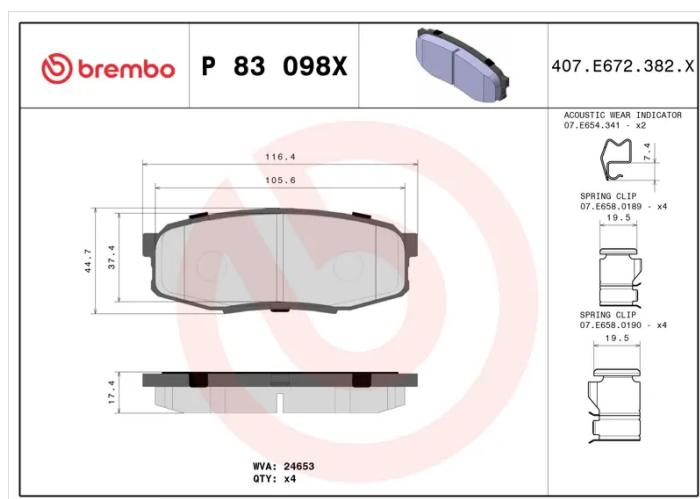
Brembo Xtra brake pads, developed to enhance the advantages of the Xtra and Max discs, are made using the special BRM X L01 compound which consists of more than 30 different components. Compared with the compound used for original-equivalent pads, the new solution assures a higher friction coefficient, which translates to more precise and stable braking, at both high and low temperatures. All this makes for greater driving comfort and improved pedal modularity, without compromising the product's mileage output.

- ✓ OE-equivalent
- ✓ Brembo quality
- ✓ ECE-R90 certificate
- ✓ Safety
- ✓ Performance
- ✓ Sports driving



Technical specifications

EAN code 8020584121894	Axle Rear	Thickness 17 mm
Width 116 mm	Height 45 mm	Braking system Advics
Wear indicator Without	WVA number 24653	Accessories With anti-squeal shim



COMPATIBLE VEHICLES

COMPATIBLE OE PART NUMBERS

0446660160	LEXUS
0446660161	LEXUS
044666016179	LEXUS
0446602340	TOYOTA
044660C010	TOYOTA
0446660120	TOYOTA
0446660160	TOYOTA
0446660161	TOYOTA
04466YZZE9	TOYOTA
0446660160	TOYOTA (FAW)