



BRAKE DISC PAINTED

08.5178.31

The 08.5178.31 painted brake disc is synonymous with reliability

The Brembo brake disc with special UV paint treatment guarantees superior corrosion resistance for the product, thanks to the protective coating on the outer edges and on the disc hub. The UV paint not only gives the disc a clean, shiny appearance but is also beneficial for the environment as the water-based UV paint treatment does not require the use of chemical solvents and is a low energy consumption process.

- ✓ OE-equivalent
- ✓ Brembo quality
- ✓ ECE-R90 certificate
- ✓ Safety
- ✓ Anti-corrosion
- ✓ Fastening screws



Technical specifications



EAN code
8020584014196

Axle
Rear

Diameter Ø
278 mm

Thickness (TH)
9 mm

Height (A)
55 mm

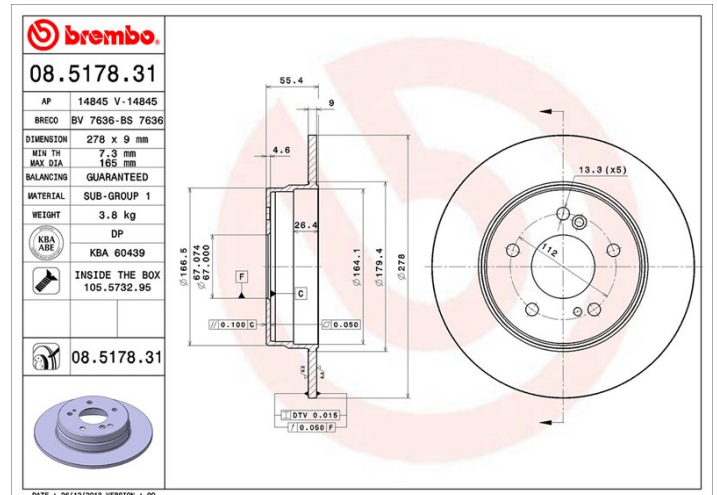
Number of holes (C)
5

Brake disc type
Solid

Centering (B)
67 mm

Min. thickness
7,3 mm

Tightening torque
110 Nm



COMPATIBLE VEHICLES

COMPATIBLE OE PART NUMBERS

5098065AA CHRYSLER

5098066AA CHRYSLER

68031811AA CHRYSLER

2034230012 MERCEDES-BENZ

2034230112 MERCEDES-BENZ

2104230112 MERCEDES-BENZ

2104230412 MERCEDES-BENZ

2104230912 MERCEDES-BENZ

A2034230012 MERCEDES-BENZ

A2034230112 MERCEDES-BENZ

A2104230412 MERCEDES-BENZ

A2104230912 MERCEDES-BENZ
