



BRAKE DISC

08.7211.20

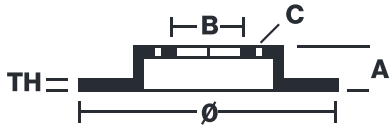
The **08.7211.20** brake disc is synonymous with reliability

The Brembo brake disc is fully interchangeable with an Original Equipment brake disc. The control of the entire production cycle allows Brembo to offer brake discs with outstanding performance levels, reliability, durability and comfort in all conditions of use. All Brembo brake discs are accompanied by the ECE-R90 homologation.

- ✓ OE-equivalent
- ✓ Brembo quality
- ✓ ECE-R90 certificate
- ✓ Safety
- ✓ High carbon
- ✓ Fastening screws



Technical specifications



EAN code
8020584721124

Axle
Rear

Diameter Ø
290 mm

Thickness (TH)
10 mm

Height (A)
55 mm

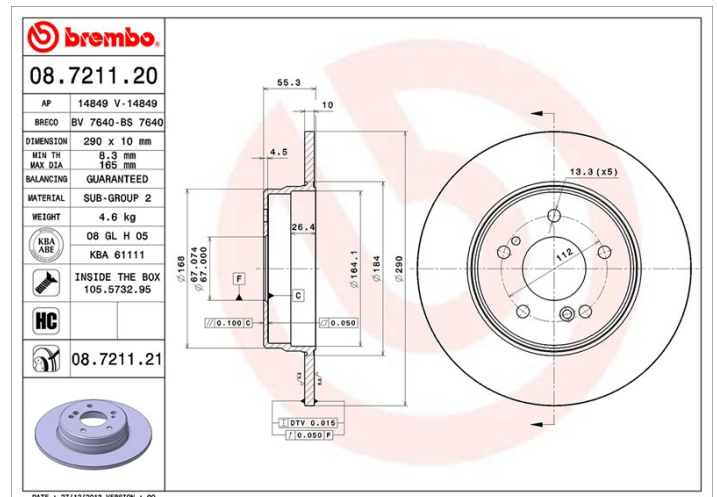
Number of holes (C)
5

Brake disc type
Solid

Centering (B)
67 mm

Min. thickness
8,3 mm

Tightening torque
110 Nm



COMPATIBLE VEHICLES

COMPATIBLE OE PART NUMBERS

1244231112	MERCEDES-BENZ
2034230412	MERCEDES-BENZ
2104230312	MERCEDES-BENZ
2104230612	MERCEDES-BENZ
2104231012	MERCEDES-BENZ
A1244231112	MERCEDES-BENZ
A2104230312	MERCEDES-BENZ
A2104230612	MERCEDES-BENZ
A2104231012	MERCEDES-BENZ