



BRAKE DISC PAINTED

08.7627.11

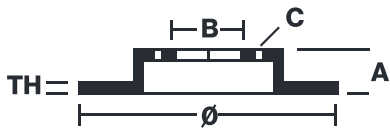
The 08.7627.11 painted brake disc is synonymous with reliability

The Brembo brake disc with special UV paint treatment guarantees superior corrosion resistance for the product, thanks to the protective coating on the outer edges and on the disc hub. The UV paint not only gives the disc a clean, shiny appearance but is also beneficial for the environment as the water-based UV paint treatment does not require the use of chemical solvents and is a low energy consumption process.

- ✓ OE-equivalent
- ✓ Brembo quality
- ✓ ECE-R90 certificate
- ✓ Safety
- ✓ Anti-corrosion
- ✓ Fastening screws



Technical specifications



EAN code
8020584026489

Axle
Front and rear

Diameter Ø
264 mm

Thickness (TH)
10 mm

Height (A)
42 mm

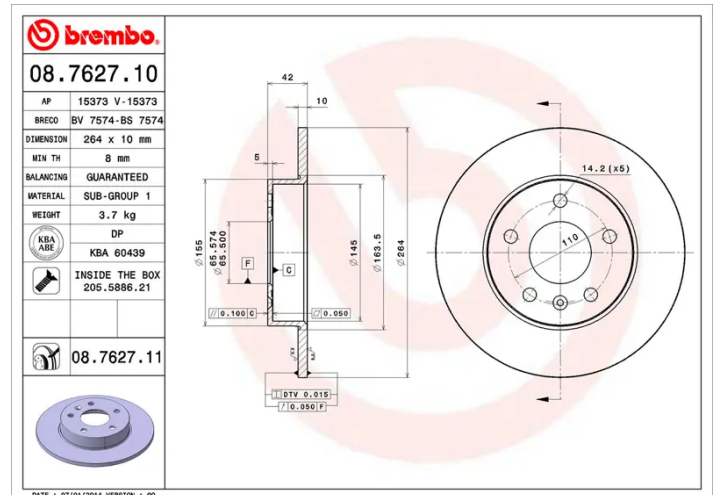
Number of holes (C)
5

Brake disc type
Solid

Centering (B)
65 mm

Min. thickness
8 mm

Tightening torque
110 Nm



COMPATIBLE VEHICLES

COMPATIBLE OE PART NUMBERS

90575113	CHEVROLET
----------	-----------

9117772	CHEVROLET
---------	-----------

95526658	CHEVROLET
----------	-----------

569109	OPEL
--------	------

90575113	OPEL
----------	------

9117772	OPEL
---------	------

95526658	OPEL
----------	------

90575113	VAUXHALL
----------	----------

9117772	VAUXHALL
---------	----------

95526658	VAUXHALL
----------	----------