



BRAKE DISC PAINTED

08.A202.11

The **08.A202.11** painted brake disc is synonymous with reliability

The Brembo brake disc with special UV paint treatment guarantees superior corrosion resistance for the product, thanks to the protective coating on the outer edges and on the disc hub. The UV paint not only gives the disc a clean, shiny appearance but is also beneficial for the environment as the water-based UV paint treatment does not require the use of chemical solvents and is a low energy consumption process.

- ✓ OE-equivalent
- ✓ Brembo quality
- ✓ ECE-R90 certificate
- ✓ Safety
- ✓ Anti-corrosion
- ✓ Fastening screws



Technical specifications



EAN code
8020584024812

Axle
Rear

Diameter \varnothing
282 mm

Thickness (TH)
12 mm

Height (A)
48 mm

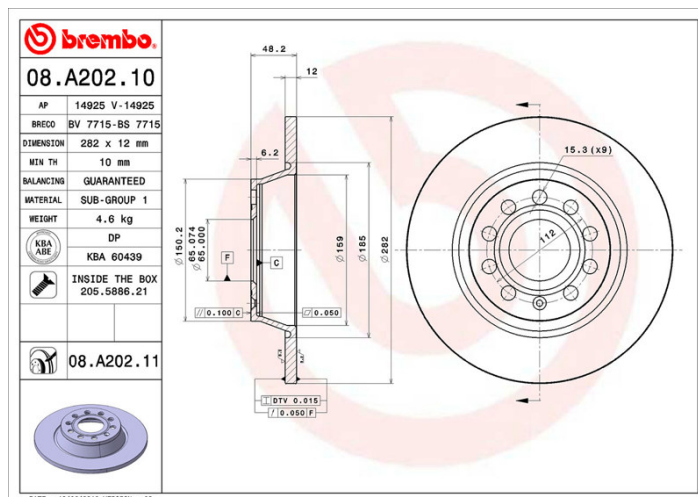
Number of holes (C)
5

Brake disc type
Solid

Centering (B)
65 mm

Min. thickness
10 mm

Tightening torque
120 Nm



COMPATIBLE VEHICLES

COMPATIBLE OE PART NUMBERS

1K0615601AD	AUDI
-------------	------

1K0615601M	AUDI
------------	------

5Q0615601G	AUDI
------------	------

L3CD615601	AUDI (FAW)
------------	------------

1K0615601AD	SEAT
-------------	------

1K0615601M	SEAT
------------	------

5Q0615601G	SEAT
------------	------

1K0615601AD	SKODA
-------------	-------

1K0615601M	SKODA
------------	-------

5Q0615601G	SKODA
------------	-------

5Q0615601Q	SKODA
------------	-------

JZW615601F	SKODA
------------	-------

1K0615601AD	SKODA (SVW)
-------------	-------------

3CD615601	SKODA (SVW)
-----------	-------------

1K0615601AD	VW
-------------	----

1K0615601M	VW
------------	----

5Q0615601G	VW
------------	----

JZW615601F	VW
------------	----

3CD615601	VW (FAW)
-----------	----------

L3CD615601	VW (FAW)
------------	----------