



# BRAKE DISC

## 08.A708.10

The **08.A708.10** brake disc is synonymous with reliability

The Brembo brake disc is fully interchangeable with an Original Equipment brake disc. The control of the entire production cycle allows Brembo to offer brake discs with outstanding performance levels, reliability, durability and comfort in all conditions of use. All Brembo brake discs are accompanied by the ECE-R90 homologation.

- ✓ OE-equivalent
- ✓ Brembo quality
- ✓ ECE-R90 certificate
- ✓ Safety
- ✓ Fastening screws



### Technical specifications



EAN code  
**8020584039618**

Axle  
**Rear**

Diameter  $\varnothing$   
**284** mm

Thickness (TH)  
**10** mm

Height (A)  
**54** mm

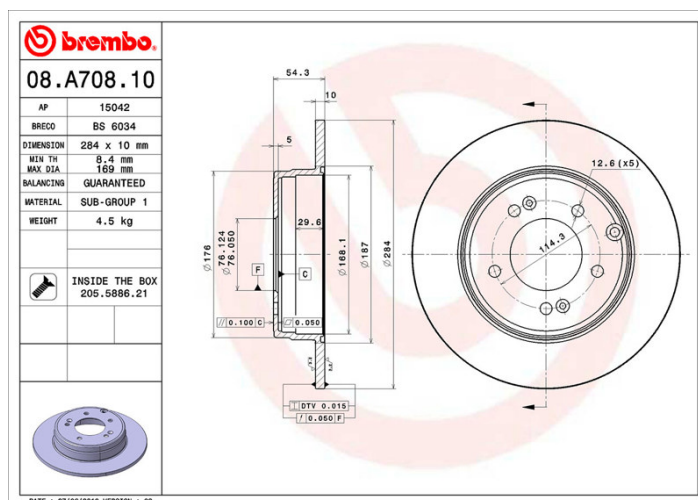
Number of holes (C)  
**5**

Brake disc type  
**Solid**

Centering (B)  
**76** mm

Min. thickness  
**8,4** mm

Tightening torque  
**100** Nm



COMPATIBLE VEHICLES

## COMPATIBLE OE PART NUMBERS

584113K100	HYUNDAI
584113K110	HYUNDAI
584113S100	HYUNDAI
5584113K100	HYUNDAI
5584113K110	HYUNDAI
584113S100	HYUNDAI (BEIJING)
584113K100	KIA
584113K150	KIA
584113S100	KIA
58411K110	KIA
584113S100	KIA (DYK)