



# BRAKE DISC PAINTED

## 09.5180.31

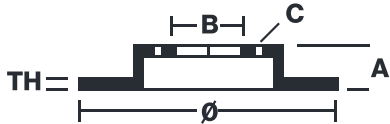
The **09.5180.31** painted brake disc is synonymous with reliability

The Brembo brake disc with special UV paint treatment guarantees superior corrosion resistance for the product, thanks to the protective coating on the outer edges and on the disc hub. The UV paint not only gives the disc a clean, shiny appearance but is also beneficial for the environment as the water-based UV paint treatment does not require the use of chemical solvents and is a low energy consumption process.

- ✓ OE-equivalent
- ✓ Brembo quality
- ✓ ECE-R90 certificate
- ✓ Safety
- ✓ Anti-corrosion
- ✓ PVT ventilation
- ✓ Fastening screws



### Technical specifications



EAN code  
**8020584023877**

Axle  
**Front**

Diameter Ø  
**281 mm**

Thickness (TH)  
**26 mm**

Height (A)  
**44 mm**

Number of holes (C)  
**4**

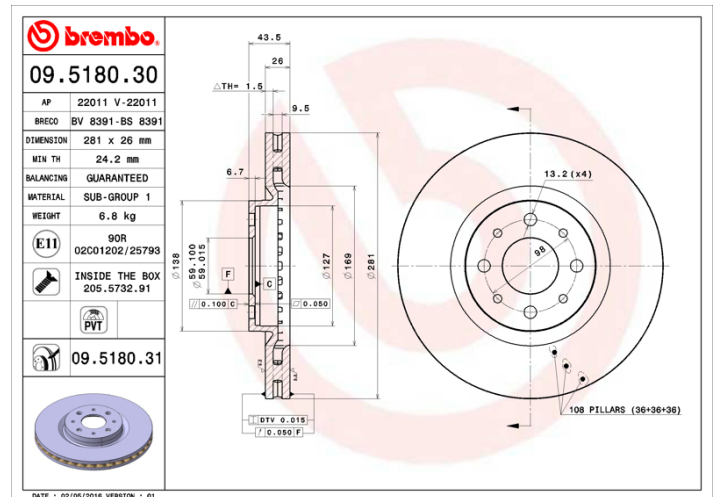
Brake disc type  
**Ventilated**

Centering (B)  
**59 mm**

Min. thickness  
**24,2 mm**

Tightening torque

**98 Nm**



## COMPATIBLE OE PART NUMBERS

46535086 ALFA ROMEO

---

46765546 ALFA ROMEO

---

6001073184 ALFA ROMEO

---

71773403 ALFA ROMEO

---

46535086 FIAT

---

46765546 FIAT

---

52195818 FIAT

---

46535086 LANCIA

---

46765546 LANCIA

---