



BRAKE DISC PAINTED

09.7043.11

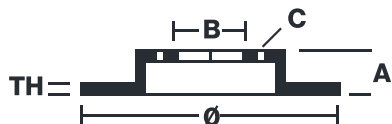
The 09.7043.11 painted brake disc is synonymous with reliability

The Brembo brake disc with special UV paint treatment guarantees superior corrosion resistance for the product, thanks to the protective coating on the outer edges and on the disc hub. The UV paint not only gives the disc a clean, shiny appearance but is also beneficial for the environment as the water-based UV paint treatment does not require the use of chemical solvents and is a low energy consumption process.

- ✓ OE-equivalent
- ✓ Brembo quality
- ✓ ECE-R90 certificate
- ✓ Safety
- ✓ Anti-corrosion

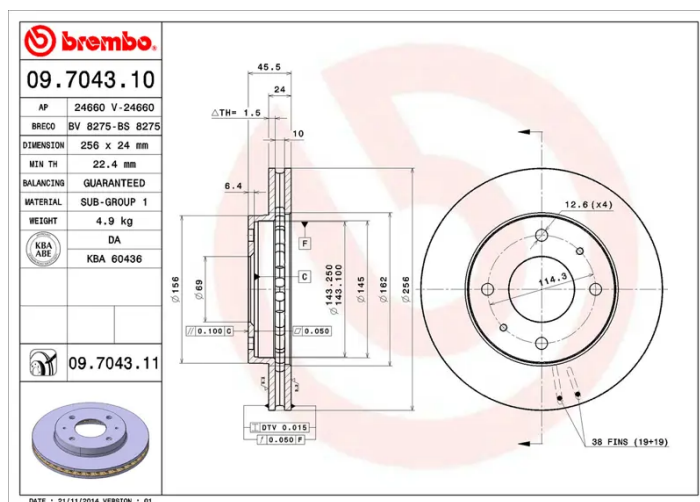


Technical specifications



EAN code	Axle	Diameter \varnothing
8020584211717	Front	256 mm
Thickness (TH)	Height (A)	Number of holes (C)
24 mm	46 mm	4
Brake disc type	Centering (B)	Min. thickness
Ventilated	69 mm	22,4 mm

Tightening torque
108 Nm



COMPATIBLE VEHICLES

COMPATIBLE OE PART NUMBERS

MB668107	DODGE
MB928995	DODGE
308729268	MITSUBISHI
MB407639	MITSUBISHI
MB668107	MITSUBISHI
MB928994	MITSUBISHI
MB928995	MITSUBISHI
MR128153	MITSUBISHI
MR205584	MITSUBISHI
MR205585	MITSUBISHI
MR389722	MITSUBISHI
MR475330	MITSUBISHI
MR955636	MITSUBISHI
MR955637	MITSUBISHI
MB928994	PROTON
MR475330	PROTON
MR955637	PROTON
PW820578	PROTON