



BRAKE DISC

09.7377.10

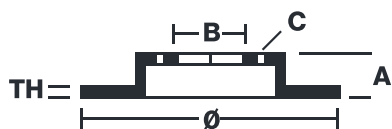
The **09.7377.10** brake disc is synonymous with reliability

The Brembo brake disc is fully interchangeable with an Original Equipment brake disc. The control of the entire production cycle allows Brembo to offer brake discs with outstanding performance levels, reliability, durability and comfort in all conditions of use. All Brembo brake discs are accompanied by the ECE-R90 homologation.

- ✓ OE-equivalent
- ✓ Brembo quality
- ✓ ECE-R90 certificate
- ✓ Safety



Technical specifications



EAN code
8020584737712

Axle
Rear

Diameter Ø
313 mm

Thickness (TH)
18 mm

Height (A)
80 mm

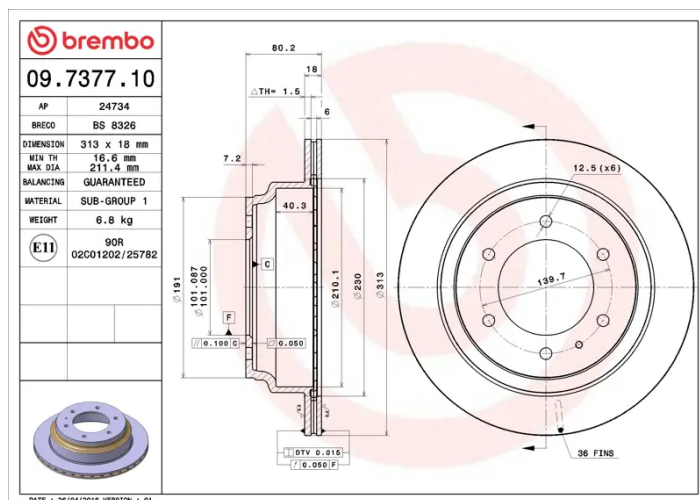
Number of holes (C)
6

Brake disc type
Ventilated

Centering (B)
101 mm

Min. thickness
16,6 mm

Tightening torque
118 Nm



COMPATIBLE VEHICLES

COMPATIBLE OE PART NUMBERS

18028170	ISUZU
----------	-------

29002X4000	ISUZU
------------	-------

8943754251	ISUZU
------------	-------

8970340361	ISUZU
------------	-------

8970460810	ISUZU
------------	-------

8970460811	ISUZU
------------	-------

8972077020	ISUZU
------------	-------

94375425	ISUZU
----------	-------

569104	OPEL
--------	------

569106	OPEL
--------	------

596106	OPEL
--------	------

91151563	OPEL
----------	------

94375425	OPEL
----------	------

97034036	OPEL
----------	------

91151563	VAUXHALL
----------	----------

94375425	VAUXHALL
----------	----------

97034036	VAUXHALL
----------	----------