



BRAKE DISC PAINTED

09.9077.11

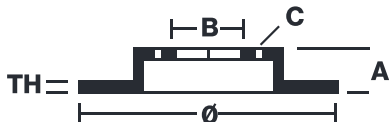
The **09.9077.11** painted brake disc is synonymous with reliability

The Brembo brake disc with special UV paint treatment guarantees superior corrosion resistance for the product, thanks to the protective coating on the outer edges and on the disc hub. The UV paint not only gives the disc a clean, shiny appearance but is also beneficial for the environment as the water-based UV paint treatment does not require the use of chemical solvents and is a low energy consumption process.

- ✓ OE-equivalent
- ✓ Brembo quality
- ✓ ECE-R90 certificate
- ✓ Safety
- ✓ Anti-corrosion

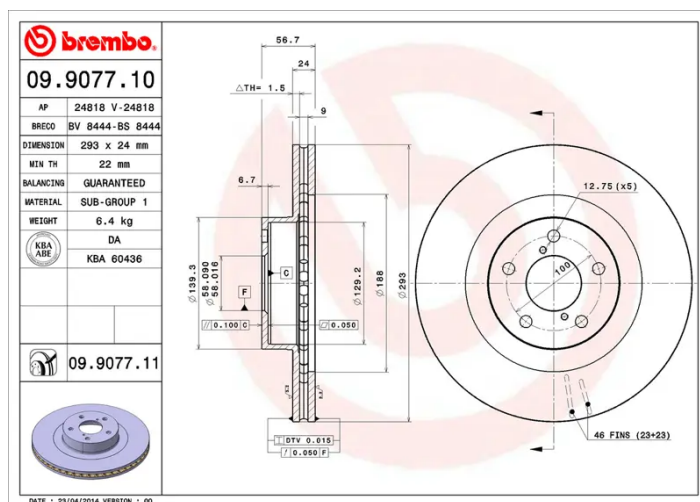


Technical specifications



EAN code 8020584030561	Axle Front	Diameter Ø 293 mm
Thickness (TH) 24 mm	Height (A) 57 mm	Number of holes (C) 5
Brake disc type Ventilated	Centering (B) 58 mm	Min. thickness 22 mm

Tightening torque
100 Nm



COMPATIBLE VEHICLES

COMPATIBLE OE PART NUMBERS

26300AE02A SUBARU

26300AE02B SUBARU

26300AE02C SUBARU

26300AE060 SUBARU

26300AE061 SUBARU

26300FE010 SUBARU

26300FE011 SUBARU

26310AC040 SUBARU

26310AC041 SUBARU

32006171 SUBARU
