



BRAKE DISC PAINTED

09.A444.11

The 09.A444.11 painted brake disc is synonymous with reliability

The Brembo brake disc with special UV paint treatment guarantees superior corrosion resistance for the product, thanks to the protective coating on the outer edges and on the disc hub. The UV paint not only gives the disc a clean, shiny appearance but is also beneficial for the environment as the water-based UV paint treatment does not require the use of chemical solvents and is a low energy consumption process.

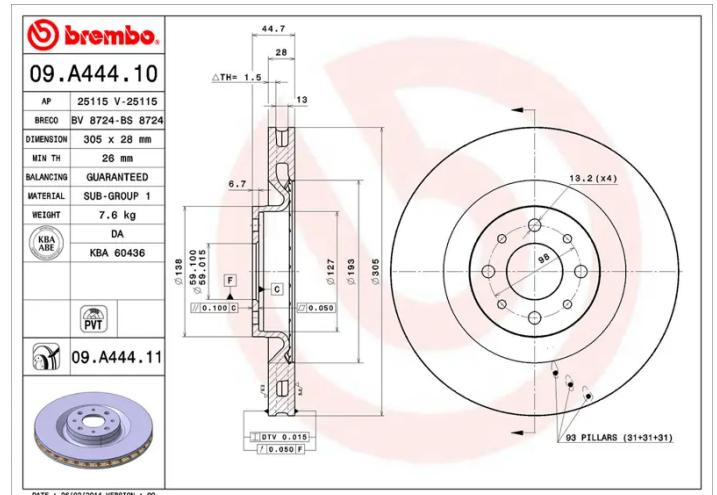
- ✓ OE-equivalent
- ✓ Brembo quality
- ✓ ECE-R90 certificate
- ✓ Safety
- ✓ Anti-corrosion
- ✓ PVT ventilation



Technical specifications



EAN code 8020584017777	Axle Front	Diameter Ø 305 mm
Thickness (TH) 28 mm	Height (A) 45 mm	Number of holes (C) 4
Brake disc type Ventilated	Centering (B) 59 mm	Min. thickness 26 mm
Tightening torque 98 Nm		



COMPATIBLE OE PART NUMBERS

51817217	CHRYSLER
----------	----------

51822658	CHRYSLER
----------	----------

51817217	LANCIA
----------	--------

51822658	LANCIA
----------	--------

51857308	LANCIA
----------	--------

51857309	LANCIA
----------	--------

51857319	LANCIA
----------	--------