



BRAKE DISC

09.A444.40

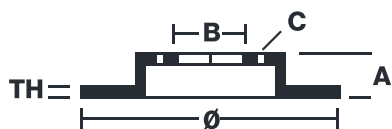
The **09.A444.40** brake disc is synonymous with reliability

The Brembo brake disc is fully interchangeable with an Original Equipment brake disc. The control of the entire production cycle allows Brembo to offer brake discs with outstanding performance levels, reliability, durability and comfort in all conditions of use. All Brembo brake discs are accompanied by the ECE-R90 homologation.

- ✓ OE-equivalent
- ✓ Brembo quality
- ✓ ECE-R90 certificate
- ✓ Safety
- ✓ High carbon
- ✓ PVT ventilation



Technical specifications



EAN code
8020584028476

Axle
Front

Diameter Ø
305 mm

Thickness (TH)
28 mm

Height (A)
46 mm

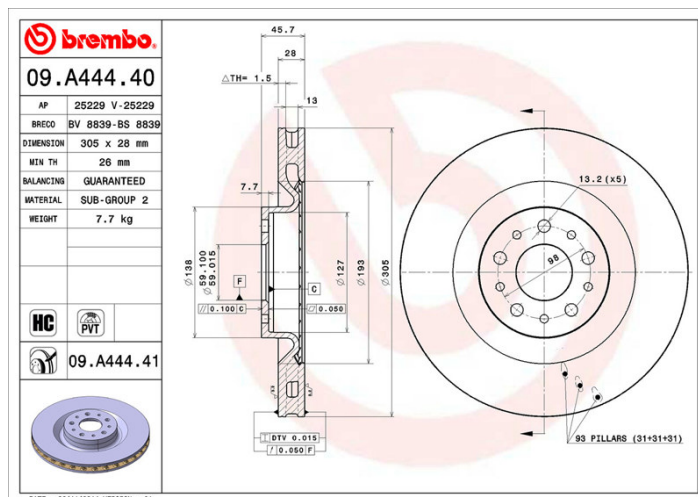
Number of holes (C)
5

Brake disc type
Ventilated

Centering (B)
59 mm

Min. thickness
26 mm

Tightening torque
86 Nm



COMPATIBLE VEHICLES

COMPATIBLE OE PART NUMBERS

51854567 FIAT

51897455 FIAT

51914663 FIAT

52067169 FIAT

52104172 FIAT

52199580 FIAT

68201086AA FIAT

569087 OPEL

569096 OPEL

95511283 OPEL

95515332 OPEL

95511283 VAUXHALL

95515332 VAUXHALL
