



BRAKE DISC MAX

09.A968.76

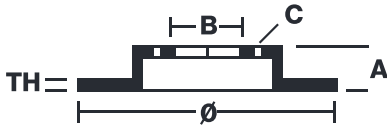
The 09.A968.76 Max brake disc is synonymous with reliability

The Brembo Max brake disc features grooves on the braking surface. The special shape of the grooves generates greater fading resistance and constant renewal of friction material, quickly restoring optimum braking conditions. The UV paint completes the sporty look.

- ✓ Brembo quality
- ✓ ECE-R90 certificate
- ✓ Performance
- ✓ Sports driving
- ✓ Sporty look
- ✓ Anti-corrosion



Technical specifications



EAN code
8020584237298

Axle
Front

Diameter Ø
258 mm

Thickness (TH)
23 mm

Height (A)
44 mm

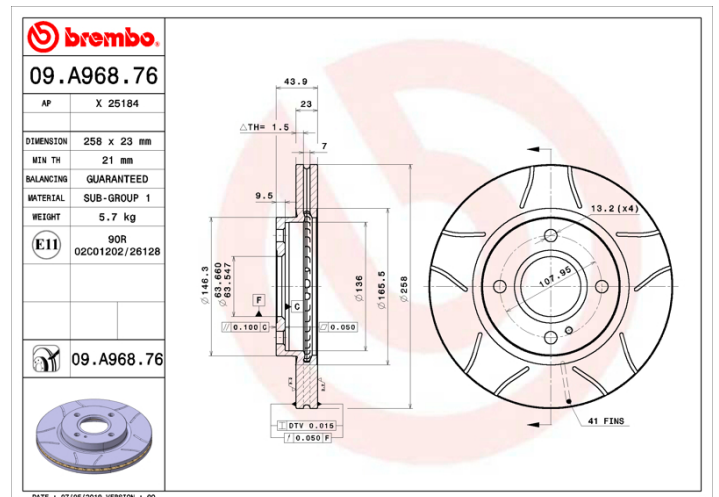
Number of holes (C)
4

Brake disc type
Ventilated

Centering (B)
64 mm

Min. thickness
21 mm

Tightening torque
85 Nm



COMPATIBLE VEHICLES

COMPATIBLE OE PART NUMBERS

1523795	FORD
1535924	FORD
1546835	FORD
1679853	FORD
1892667	FORD
1892668	FORD
2017682	FORD
8V511125AA	FORD
8V511125AB	FORD
8V511125AC	FORD
8V511125AD	FORD
AE8Z1125B	FORD
E4B11125AA	FORD
E4B11125BA	FORD
G1B51125AA	FORD
1523795	FORD ASIA & OCEANIA
1535924	FORD ASIA & OCEANIA
1546835	FORD ASIA & OCEANIA
1679853	FORD ASIA & OCEANIA
8V511125AA	FORD ASIA & OCEANIA
8V511125AB	FORD ASIA & OCEANIA
8V511125AC	FORD ASIA & OCEANIA
8V511125AD	FORD ASIA & OCEANIA
AE8Z1125A	FORD USA
AE8Z1125B	FORD USA