



# BRAKE DISC PAINTED

## 09.A972.11

The 09.A972.11 painted brake disc is synonymous with reliability

The Brembo brake disc with special UV paint treatment guarantees superior corrosion resistance for the product, thanks to the protective coating on the outer edges and on the disc hub. The UV paint not only gives the disc a clean, shiny appearance but is also beneficial for the environment as the water-based UV paint treatment does not require the use of chemical solvents and is a low energy consumption process.

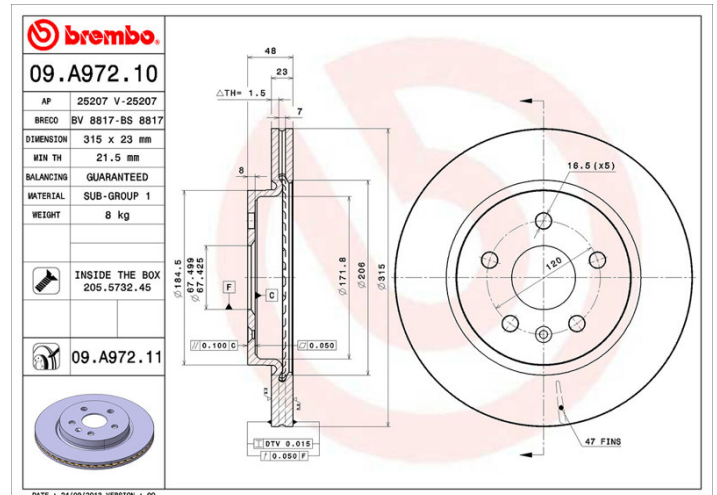
- ✓ OE-equivalent
- ✓ Brembo quality
- ✓ ECE-R90 certificate
- ✓ Safety
- ✓ Anti-corrosion
- ✓ Fastening screws



### Technical specifications



EAN code <b>8020584025888</b>	Axle <b>Rear</b>	Diameter $\varnothing$ <b>315 mm</b>
Thickness (TH) <b>23 mm</b>	Height (A) <b>48 mm</b>	Number of holes (C) <b>5</b>
Brake disc type <b>Ventilated</b>	Centering (B) <b>67 mm</b>	Min. thickness <b>21,5 mm</b>
Tightening torque <b>150 Nm</b>		



**COMPATIBLE VEHICLES**

## COMPATIBLE OE PART NUMBERS

23118534	BUICK
13501290	BUICK (SGM)
13501303	BUICK (SGM)
13501314	BUICK (SGM)
13501290	CADILLAC
13592623	CADILLAC
23118534	CADILLAC
13501290	CADILLAC (SGM)
13592623	CADILLAC (SGM)
13501314	CHEVROLET
13592623	CHEVROLET
23118534	CHEVROLET
13501314	CHEVROLET (SGM)
13501303	OPEL
13502199	OPEL
569062	OPEL
569128	OPEL
13501314	ROEWE (SAIC)
13502199	SAAB
13501303	VAUXHALL
13502199	VAUXHALL