



BRAKE DISC PAINTED

09.C645.21

The 09.C645.21 painted brake disc is synonymous with reliability

The Brembo brake disc with special UV paint treatment guarantees superior corrosion resistance for the product, thanks to the protective coating on the outer edges and on the disc hub. The UV paint not only gives the disc a clean, shiny appearance but is also beneficial for the environment as the water-based UV paint treatment does not require the use of chemical solvents and is a low energy consumption process.

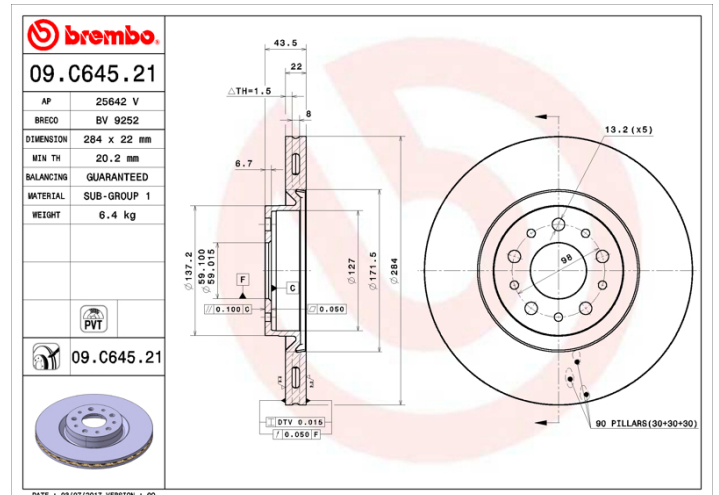
- ✓ OE-equivalent
- ✓ Brembo quality
- ✓ ECE-R90 certificate
- ✓ Safety
- ✓ Anti-corrosion
- ✓ PVT ventilation



Technical specifications



EAN code 8020584223758	Axle Front	Diameter Ø 284 mm
Thickness (TH) 22 mm	Height (A) 44 mm	Number of holes (C) 5
Brake disc type Ventilated	Centering (B) 59 mm	Min. thickness 20,2 mm



COMPATIBLE VEHICLES

COMPATIBLE OE PART NUMBERS

51990127	FIAT
----------	------

51996238	FIAT
----------	------

51996239	FIAT
----------	------

52017292	FIAT
----------	------

52017293	FIAT
----------	------
