



BRAKE DISC PAINTED

09.C654.11

The 09.C654.11 painted brake disc is synonymous with reliability

The Brembo brake disc with special UV paint treatment guarantees superior corrosion resistance for the product, thanks to the protective coating on the outer edges and on the disc hub. The UV paint not only gives the disc a clean, shiny appearance but is also beneficial for the environment as the water-based UV paint treatment does not require the use of chemical solvents and is a low energy consumption process.

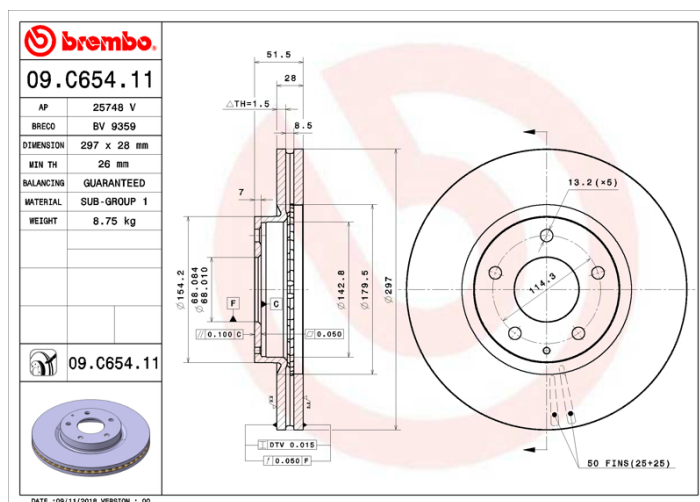
- ✓ OE-equivalent
- ✓ Brembo quality
- ✓ ECE-R90 certificate
- ✓ Safety
- ✓ Anti-corrosion



Technical specifications



EAN code	Axle	Diameter Ø
8020584237342	Front	297 mm
Thickness (TH)	Height (A)	Number of holes (C)
28 mm	52 mm	5
Brake disc type	Centering (B)	Min. thickness
Ventilated	68 mm	26 mm



COMPATIBLE VEHICLES

COMPATIBLE OE PART NUMBERS

GHP933251	MAZDA
GHP933251A	MAZDA
GHR133251	MAZDA
GHR133251A	MAZDA
K01133251A	MAZDA
K01133251B	MAZDA
KR1233251A	MAZDA (CHANGAN)