



BRAKE DISC PAINTED

09.D174.33

The 09.D174.33 painted brake disc is synonymous with reliability

The Brembo brake disc with special UV paint treatment guarantees superior corrosion resistance for the product, thanks to the protective coating on the outer edges and on the disc hub. The UV paint not only gives the disc a clean, shiny appearance but is also beneficial for the environment as the water-based UV paint treatment does not require the use of chemical solvents and is a low energy consumption process.



- ✓ OE-equivalent
- ✓ Brembo quality
- ✓ ECE-R90 certificate
- ✓ Safety
- ✓ High carbon
- ✓ Bi-Material Brake Disc
- ✓ Anti-corrosion

Technical specifications



EAN code
8020584316375

Axle
Front

Diameter Ø
370 mm

Thickness (TH)
34 mm

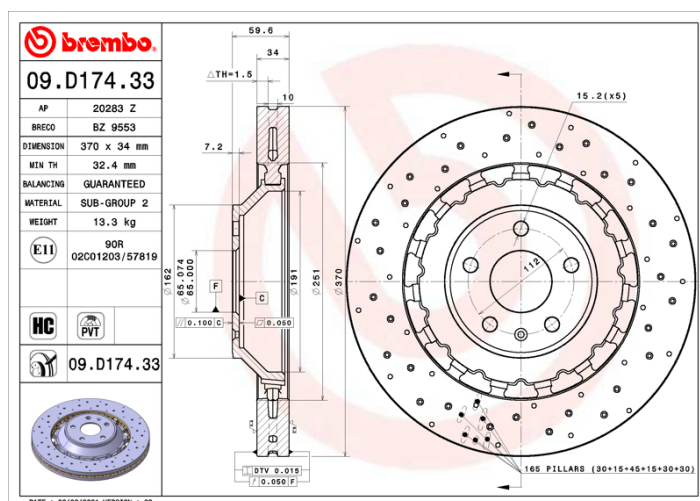
Height (A)
60 mm

Number of holes (C)
5

Brake disc type
Ventilated

Centering (B)
65 mm

Min. thickness
32,4 mm



COMPATIBLE VEHICLES

COMPATIBLE OE PART NUMBERS

8V0615301P AUDI

8V0615301S AUDI