



# BRAKE DISC PAINTED

## 09.N264.11

The 09.N264.11 painted brake disc is synonymous with reliability

The Brembo brake disc with special UV paint treatment guarantees superior corrosion resistance for the product, thanks to the protective coating on the outer edges and on the disc hub. The UV paint not only gives the disc a clean, shiny appearance but is also beneficial for the environment as the water-based UV paint treatment does not require the use of chemical solvents and is a low energy consumption process.

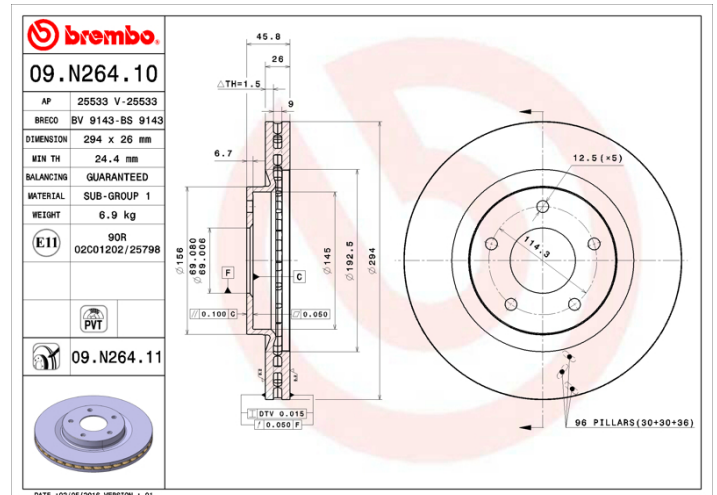
- ✓ OE-equivalent
- ✓ Brembo quality
- ✓ ECE-R90 certificate
- ✓ Safety
- ✓ Anti-corrosion
- ✓ PVT ventilation



### Technical specifications



EAN code <b>8020584222942</b>	Axle <b>Front</b>	Diameter $\varnothing$ <b>294 mm</b>
Thickness (TH) <b>26 mm</b>	Height (A) <b>46 mm</b>	Number of holes (C) <b>5</b>
Brake disc type <b>Ventilated</b>	Centering (B) <b>69 mm</b>	Min. thickness <b>24,4 mm</b>



**COMPATIBLE VEHICLES**

## COMPATIBLE OE PART NUMBERS

1607500580	CITROËN
1610623080	CITROËN
4615A075	MITSUBISHI
4615A117	MITSUBISHI
4615A159	MITSUBISHI
4615A178	MITSUBISHI
4615A117	MITSUBISHI (GAC)
4615A178	MITSUBISHI (GAC)
1607500580	PEUGEOT
1610623080	PEUGEOT