



DRUM

14.6755.10

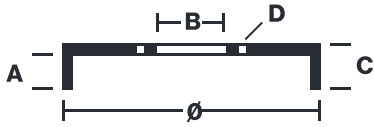
The 14.6755.10 drum is synonymous with reliability

Brembo has developed several design solutions for drum brakes which combine multiple materials to reduce the overall weight. The most popular range of lamellar graphite cast iron drums is supplemented by cast iron drums with a steel sprocket flange and aluminium drums, whereby only the inner part of the drum on which the shoes operate are made of lamellar cast iron, namely the brake band. Additionally drums with built-in bearing kit and hub are added to this range.



- ✓ OE-equivalent
- ✓ Brembo quality
- ✓ Safety
- ✓ Durability

Technical specifications



EAN code
8020584675519

Axle
Rear

Diameter
180 mm

Width
38,7 mm

Height
54

Number of holes
4

Centering
59 mm

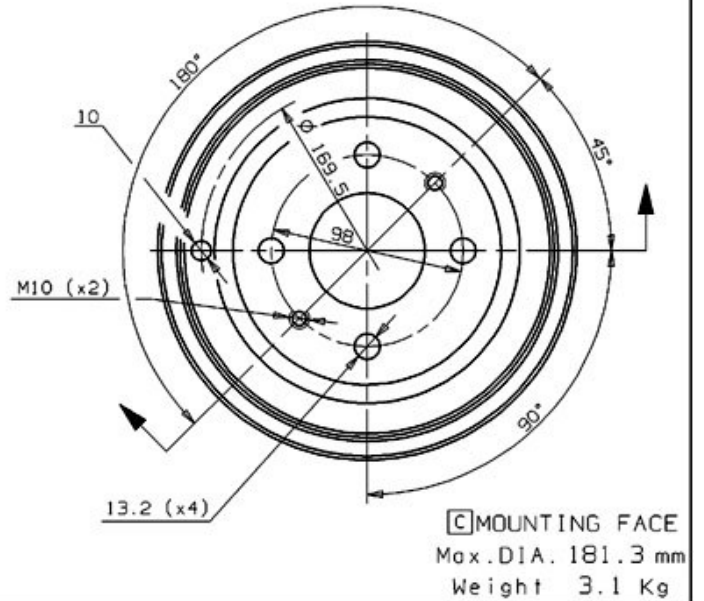
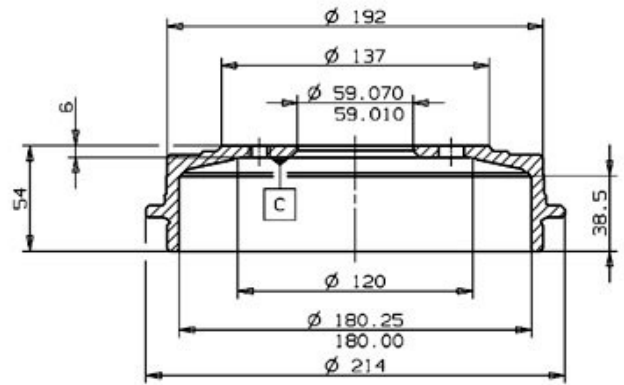
Max diameter
181,3 mm



FIAT P.N.: 7750119
7599325

14.6755.10 | B
Date 24.01.96

CUSTOMER P.N.:



COMPATIBLE VEHICLES

COMPATIBLE OE PART NUMBERS

46819776	FIAT
51863509	FIAT
51863510	FIAT
51900802	FIAT
7599325	FIAT
7750119	FIAT
95511113CA	FORD
95511113DA	FORD
7599325	LANCIA
7750119	LANCIA
7599325	ZASTAVA