



DRUM

14.A854.10

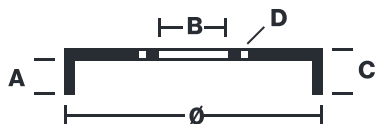
The **14.A854.10** drum is synonymous with reliability

Brembo has developed several design solutions for drum brakes which combine multiple materials to reduce the overall weight. The most popular range of lamellar graphite cast iron drums is supplemented by cast iron drums with a steel sprocket flange and aluminium drums, whereby only the inner part of the drum on which the shoes operate are made of lamellar cast iron, namely the brake band. Additionally drums with built-in bearing kit and hub are added to this range.



- ✓ OE-equivalent
- ✓ Brembo quality
- ✓ Safety
- ✓ Durability

Technical specifications



EAN code
8020584219706

Axle
Rear

Diameter
203,2 mm

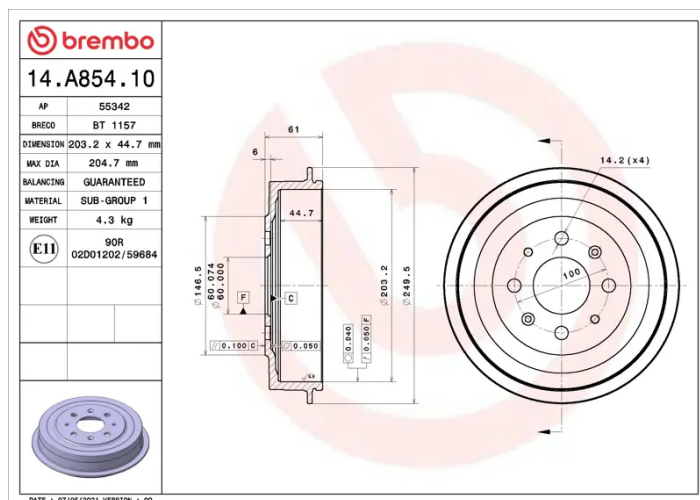
Width
47 mm

Height
61

Number of holes
4

Centering
60 mm

Max diameter
204,7 mm



COMPATIBLE VEHICLES

COMPATIBLE OE PART NUMBERS

51840909 FIAT

55701379 FIAT

55703042 FIAT

55704049 FIAT

55704050 FIAT

13423797 OPEL

55701379 OPEL

568004 OPEL

568269 OPEL

55701379 VAUXHALL
