



# BRAKE PAD NAO P06052N

The P06052N NAO brake pad is synonymous with reliability

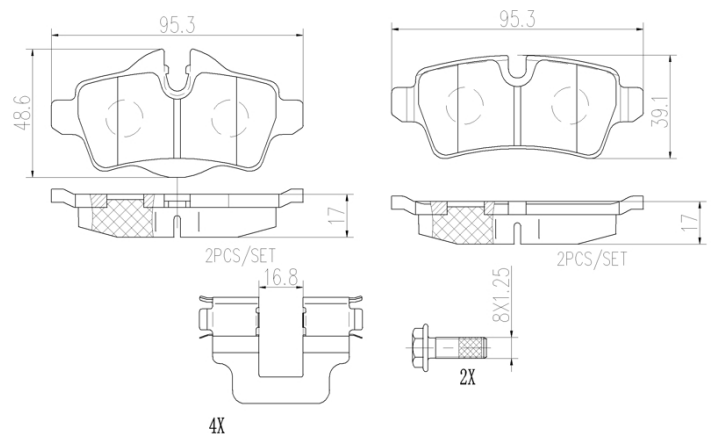
Brembo NAO brake pads stand out for their ultimate braking comfort, reduced friction wear and low dust mission, which makes for cleaner rims and reduced maintenance requirements. The advanced friction material in keeping with the strictest environmental standards is the main distinguishing feature of NAO compounds.

- ✓ OE-equivalent
- ✓ Brembo quality
- ✓ Safety
- ✓ Comfort
- ✓ Durability
- ✓ Dust reduction
- ✓ With accessories



## Technical specifications

EAN code <b>8020584082454</b>	Axle <b>Rear</b>	Thickness <b>17 mm</b>
Width <b>95 mm</b>	Height <b>39 mm</b>	Braking system <b>TRW</b>
Wear indicator <b>Prepared for wear indicator</b>	WVA number <b>24289,24290</b>	Accessories <b>With anti-squeal shim</b> <b>With brake caliper bolts</b> <b>With accessories</b>



COMPATIBLE VEHICLES

## COMPATIBLE OE PART NUMBERS

34216778327	BMW
-------------	-----

---

2289155	MINI
---------	------

---

34212289155	MINI
-------------	------

---

34216772894	MINI
-------------	------

---

34216778325	MINI
-------------	------

---

34216778326	MINI
-------------	------

---

34216778327	MINI
-------------	------

---

34216794059	MINI
-------------	------

---

6772894	MINI
---------	------

---

6778325	MINI
---------	------

---

6778326	MINI
---------	------

---

6794059	MINI
---------	------

---