

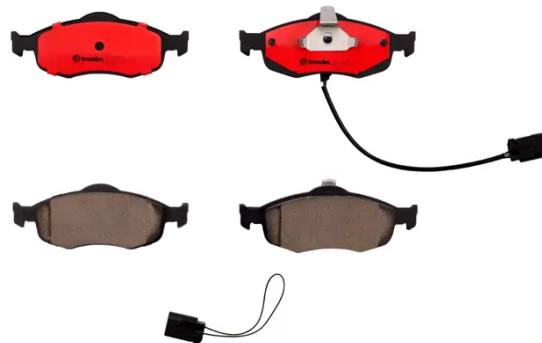


# BRAKE PAD PRIME CERAMIC P24034N

The P24034N NAO brake pad is synonymous with reliability

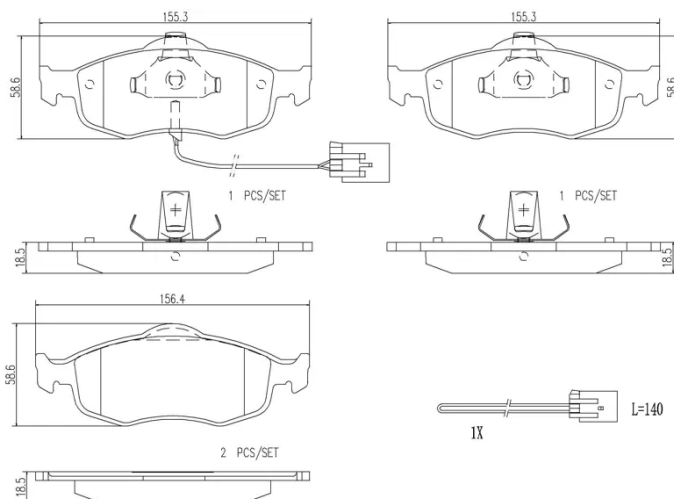
Brembo NAO brake pads stand out for their ultimate braking comfort, reduced friction wear and low dust mission, which makes for cleaner rims and reduced maintenance requirements. The advanced friction material in keeping with the strictest environmental standards is the main distinguishing feature of NAO compounds.

- ✓ OE-equivalent
- ✓ Brembo quality
- ✓ Safety
- ✓ Comfort
- ✓ Durability
- ✓ Dust reduction
- ✓ With accessories



## Technical specifications

EAN code <b>8020584096925</b>	Axle <b>Front</b>	Thickness <b>19 mm</b>
Width <b>155 mm</b>	Height <b>59 mm</b>	Braking system <b>Teves</b>
Wear indicator <b>Electric</b>	WVA number <b>21638,21394,23071</b>	Accessories <b>With anti-squeal shim</b> <b>With accessories</b> <b>With piston clip</b>



**COMPATIBLE VEHICLES**

## COMPATIBLE OE PART NUMBERS

1022079 FORD

1073732 FORD

1079348 FORD

1095202 FORD

1096940 FORD

1130758 FORD

1145455 FORD

1521325 FORD

5029148 FORD

6827586 FORD

6877837 FORD

6882582 FORD

7261715 FORD

93BB2K021FB FORD

93BX2K021BA FORD

93BX2K021FB FORD

93GB2K021AB FORD

93GB2K021AC FORD

94GB2K021AA FORD

94GB2K021AB FORD

97BG2K021AA FORD

97BG2K021AB FORD

97BX2K021AA FORD

97BX2K021AB FORD

97BX2K021AC FORD

ME97BX2K021AD FORD

XS8Z2001AA FORD USA

XS8Z2001DA FORD USA

2S8Z2001AA MERCURY

XS8Z2001AA MERCURY

XS8Z2001DA MERCURY